


FLOS

 F1070075 Brick Red

Bellhop Floor

Designed by Edward Barber and Jay Osgerby, 2020

26W - 1023lm - 2700K - CRI> 90



Floor lamp with indirect light. Stem in painted aluminium: shiny white, brick, cioko, green. Reflector in shiny opal white and grey blown glass. Electrical cable of 270 cm usable length with foot dimmer switch for ON/OFF function and brightness adjustment 10–100%. Power supply with interchangeable plugs.

Are you a professional and your project needs consulting and support?

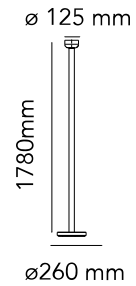
[BOOK AN APPOINTMENT](#)

Main specifications

EAN	8059607039717
Mounting	Floor
Environments	Indoor dry location
Light source type	LED
Light sources included	Yes
LED type	LED array
Power (W)	26
System power (W)	26
System flux (lm)	1023

Physical

Colour	Brick Red
Length (mm)	260
Cord length (mm)	2700
Net weight (kg)	9.82
Package volume (m3)	0.05
IP internal	20



Download

[Mounting instructions](#)  PDF

[Mounting instructions](#)  PDF

Photometric Files

[LDT / IES](#)  LDT

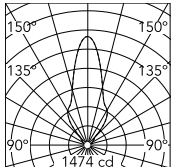
Technical Drawings

[3D](#)  ZIP

[Bim](#)  ZIP



Schematic light drawing



Beam Angle: 33°

h(m)	E(lx)	D(m)
1	1474	0.59
2	368	1.19
3	164	1.78
4	92	2.38
5	59	2.97

Luminous flux Luminaire
1232 lm

Photometric

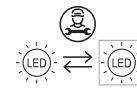
Lighting type	Indirect
Light distribution	Roto symmetric
CCT (K)	2700
CRI>	90
Extreme cut off	No

Electrical

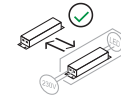
Insulation class	III
Frequency (Hz)	50/60
Main voltage (Vac)	100-240
LED current (mA)	700
Power supply	Remote included
Dimmable	Yes
Power supply type	Electronic 48V
Dimming interface	Switch Integrated (Remote Dimmable)
Plug type	Type G, Type A, Type C
Batteries inside	No

Ecodesign and Energy Labelling

This product contains a light source of energy efficiency class **G**

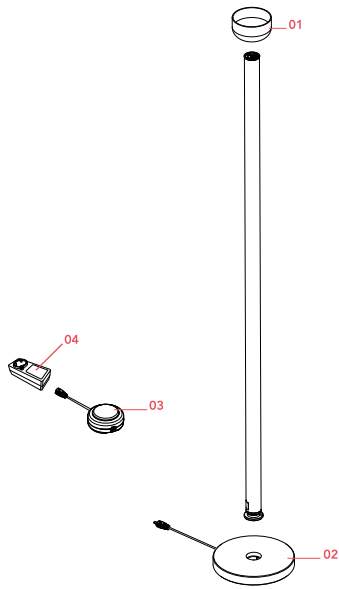


Replaceable (LED only)
light source by a
professional



Replaceable control
gear by an end-user

Spare Parts



- | | | |
|-----|---|-----------|
| 01. | Bellhop Floor Reflector White | F1073009 |
| 02. | Bellhop Floor Base Concrete | F1072009 |
| 03. | Bellhop Floor Switch Dimmer
Assembly 700mA | RF30216 |
| 04. | Black plug assembly kit & 48V
driver | RF6600130 |



F1073009
Bellhop Floor Reflector White



F1072009
Bellhop Floor Base Concrete



RF30216
Bellhop Floor Switch Dimmer
Assembly 700mA



RF6600130
Black plug assembly kit & 48V
driver