

FLOS

F1070026 Cioko

Bellhop Floor

Designed by Edward Barber and Jay Osgerby, 2020

26W - 1023lm - 2700K - CRI> 90



Floor lamp with indirect light. Stem in painted aluminium: shiny white, brick, cioko, green. Reflector in shiny opal white and grey blown glass. Electrical cable of 270 cm usable length with foot dimmer switch for ON/OFF function and brightness adjustment 10–100%. Power supply with interchangeable plugs.

Are you a professional and your project needs consulting and support?

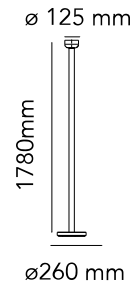
[BOOK AN APPOINTMENT](#)

Main specifications

| | |
|-------------------|---------------------|
| EAN | 8059607039700 |
| Mounting | Floor |
| Environments | Indoor dry location |
| Light Source Type | LED |
| LED type | LED array |
| Power (W) | 26 |
| System power (W) | 26 |
| System flux (lm) | 1023 |

Physical

| | |
|---------------------|-------|
| Colour | Cioko |
| Length (mm) | 260 |
| Cord colour | Black |
| Cord length (mm) | 2700 |
| Net weight (kg) | 9.82 |
| Package volume (m3) | 0.05 |
| IP internal | 20 |



Download

| | |
|-----------------------|-----------------------|
| Mounting instructions | ↓ PDF |
| Mounting instructions | ↓ PDF |
| Spare Parts | ↓ PDF |

Photometric Files

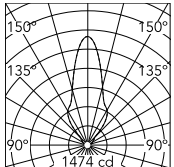
| | |
|-----------|-----------------------|
| LDT / IES | ↓ LDT |
|-----------|-----------------------|

Technical Drawings

| | |
|-----|-----------------------|
| 3D | ↓ ZIP |
| Bim | ↓ ZIP |



Schematic light drawing



Beam Angle: 33°

| h(m) | E(lx) | D(m) |
|------|-------|------|
| 1 | 1474 | 0.59 |
| 2 | 368 | 1.19 |
| 3 | 164 | 1.78 |
| 4 | 92 | 2.38 |
| 5 | 59 | 2.97 |

Luminous flux Luminaire
1232 lm

Photometric

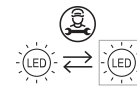
| | |
|--------------------|----------------|
| Lighting type | Indirect |
| Light distribution | Roto symmetric |
| CCT (K) | 2700 |
| CRI> | 90 |
| Extreme cut off | No |

Electrical

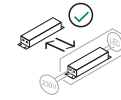
| | |
|----------------------|--|
| Insulation class | III |
| Frequency (Hz) | 50/60 |
| Main voltage (Vac) | 100-240/48 |
| LED voltage Vf (Vdc) | null |
| LED current (mA) | 700 |
| Power Supply | Remote included |
| Dimmable | Yes |
| Power Supply Type | Electronic 48V |
| Dimming interface | Switch Integrated (Remote Dimmable) |
| Plug type | Type G, Type A, Type C |
| Batteries inside | No |

Ecodesign and Energy Labelling

This product contains a light source of energy efficiency class **G**

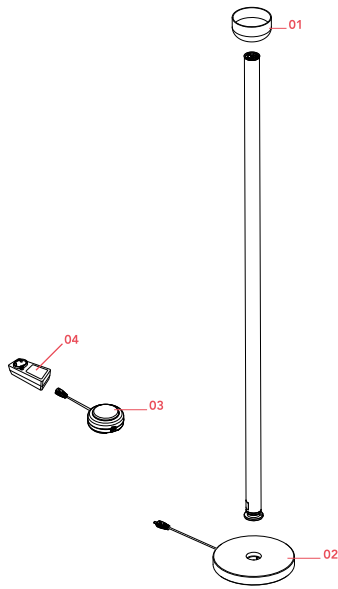


Replaceable (LED only)
light source by a
professional



Replaceable control
gear by an end-user

Spare Parts



- | | | |
|-----|---|-----------|
| 00. | Assembly Coaxial Connector | RF3390130 |
| 01. | Bellhop F Reflector White | F1073009 |
| 02. | Bellhop F Base Concrete | F1072009 |
| 03. | Switch Dimmer Assembly 700mA | RF30216 |
| 04. | Black plug assembly kit & 48V driver | RF6600130 |

DOWNLOAD



RF3390130

Assembly Coaxial Connector



F1073009

Bellhop F Reflector White



F1072009

Bellhop F Base Concrete



RF30216

Switch Dimmer Assembly 700mA



RF6600130

Black plug assembly kit & 48V driver