

# FLOS

|| F0303000 Steel

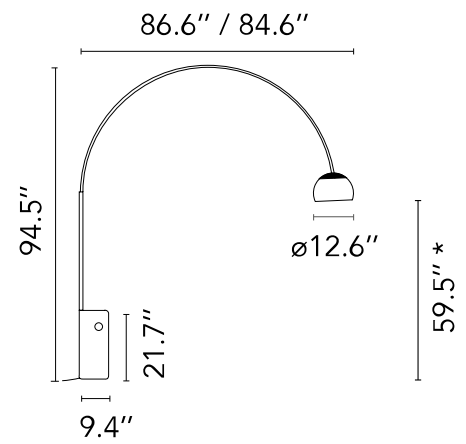
## Arco Led

Designed by Achille and Pier Giacomo Castiglioni, 1962

28W - 1224lm - 2700K



A legendary design has been featured in Hollywood classics including *Diamonds are Forever* and *The Italian Job*, Arco is a design icon that has been in constant production since its debut in 1962. The modern arc floor lamp considered a design classic. The famed Castiglioni brothers spared no detail when they created it, from the beveled corners of its genuine Carrera marble base (designed not to hurt should you brush against them) to the strategic hole that allows for easy lifting of the base. **FEATURES** The base supports a spun aluminum reflector via a curved stainless steel adjustable stem, allowing the lamp to offer both direct and indirect light. The height extends to almost 7-feet, allowing for easy placement of a couch or table underneath. **INSPIRATION BEHIND THE DESIGN** The Castiglioni brothers drew their inspiration for the Arco lamp from something they saw every day: a streetlight. Using commercially available parts, they set out to design a piece that was technically innovative and visually appealing a lamp that was functional but wouldn't need to be stepped around. They finished it with a marble base, knowing that the same weight would take up less space, allowing the Arco to live in not take over the room it illuminated.



\*The diffuser can be adjusted to 67" or 72.8".

Are you a professional and your project needs consulting and support?

[BOOK AN APPOINTMENT](#)

### Main specifications

EAN	8059607000991
Mounting	Floor
Environments	Indoor dry location
Light Source Type	LED
Light sources included	Yes
LED type	LED array
Power (W)	28
System flux (lm)	1224

### Physical

Color	Steel
Length (in)	86.61
Cord color	Black
Cord length (in)	90.551
Net weight (lb)	140.76
Package volume (in)	14889.42
IP internal	20

### Download

- [Mounting instructions](#) PDF
- [Mounting instructions](#) PDF
- [Mounting instructions](#) PDF

### Photometric Files

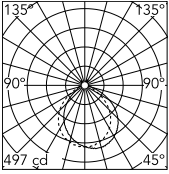
- [LDT / IES](#) LDT

### Technical Drawings

- [2D](#) ZIP
- [3D](#) ZIP



## Schematic light drawing



497 cd  
135° 135°  
90° 90°  
45°

## Photometric

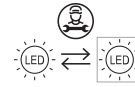
Lighting type	Direct
Light distribution	Asymmetric
CCT (K)	2700
Extreme cut off	No

## Electrical

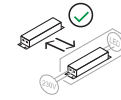
Insulation class	III
Frequency (Hz)	50/60
Main voltage (Vac)	100-240
Driver	Remote included
Dimmable	Yes
Dimming type	Electronic 48V
Dimming interface	Dimmer Integrated
Plug type	Type G, Type A, Type C
Batteries inside	No

## Ecodesign and Energy Labelling

This product contains a light source of energy efficiency class D

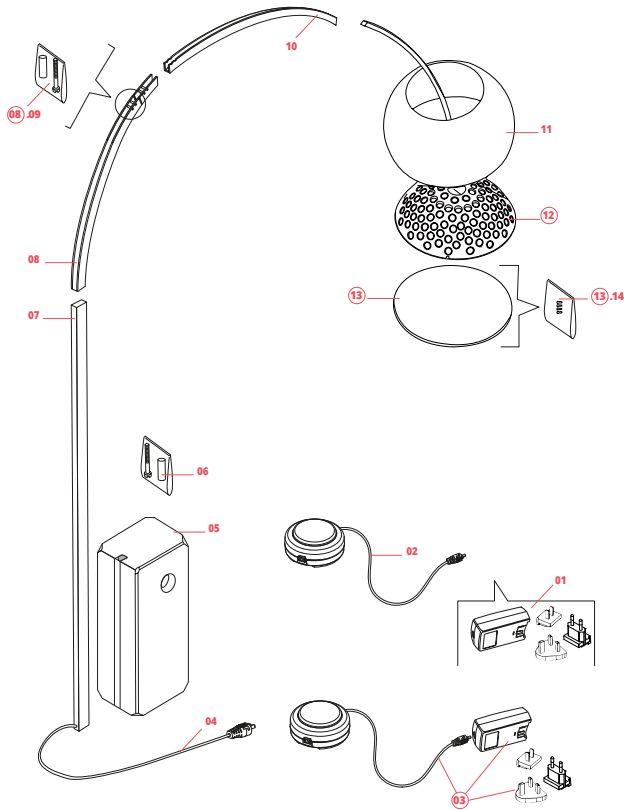


Replaceable (LED only) light source by a professional



Replaceable control gear by an end-user

## Spare Parts



- |     |  |           |
|-----|--|-----------|
| 01. | Black plug assembly kit & 48V driver         | RF6600130 |
| 02. | Switch dimmer 600Ma for new version          | RF26383   |
| 03. | Switch dimmer 400mA assembly for old version | RF0303600 |
| 04. | Middle electric cable with connectors        | RF20805   |
| 05. | Marble base                                  | F0310000  |
| 06. | Fixing screw with joint                      | RF0300100 |
| 07. | Inox stem                                    | RF21041   |
| 08. | Long inox channel                            | RF02970   |
| 09. | Pins and screw set                           | RF0300200 |
| 10. | Medium inox channel                          | RF02971   |
| 11. | Polished reflector                           | RF00797   |
| 12. | Small inox channel with grid and led         | RF0303400 |
| 13. | Optical led diffuser with fixing screws      | RF0303200 |
| 14. | Optical led diffuser fixing screws           | RF0303300 |



RF6600130  
Black plug assembly kit & 48V driver



RF26383  
Switch dimmer 600Ma for new version



RF0303600  
Switch dimmer 400mA assembly for old version



RF20805  
Middle electric cable with connectors



F0310000  
Marble base



RF0300100  
Fixing screw with joint



RF21041  
Inox stem



RF02970  
Long inox channel



RF0300200

Pins and screw set



RF02971

Medium inox channel



RF00797

Polished reflector



RF0303400

Small inox channel with grid and led



RF0303200

Optical led diffuser with fixing screws



RF0303300

Optical led diffuser fixing screws