

# FLOS

F0300000 Steel

## Arco

Designed by Achille and Pier Giacomo Castiglioni, 1962

Halogen - 70W



Floor lamp providing direct light. White Carrara marble base. Satin-finish stainless steel telescopic stem. Pressed, polished and zapon-varnished aluminum swiveling and height-adjustable reflector.

Are you a professional and your project needs consulting and support?

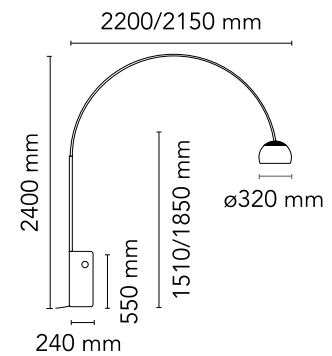
[BOOK AN APPOINTMENT](#)

### Main specifications

EAN	8059607000946
Mounting	Floor
Environments	Indoor dry location
Light Source Type	Bulb
Lamp category	Halogen
Lamp holders	E27
Ilcos	HSGSA/S
Number of heads	1
Power (W)	70

### Physical

Colour	Steel
Cord length (mm)	2500
Net weight (kg)	63.4
Package volume (m3)	0.13
IP internal	20

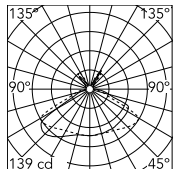


### Download

<a href="#">Mounting instructions</a>	<a href="#">PDF</a>
<a href="#">Mounting instructions</a>	<a href="#">PDF</a>
<a href="#">Spare Parts</a>	<a href="#">PDF</a>



## Schematic light drawing



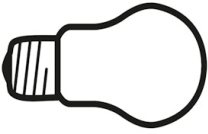
### Photometric

Lighting type	Direct
Light distribution	Asymmetric

### Electrical

Insulation class	II
Frequency (Hz)	50/60
Main voltage (Vac)	220-250
LED voltage Vf (Vdc)	null
Plug type	Type C
Batteries inside	No
Charging min time	No

## Bulbs

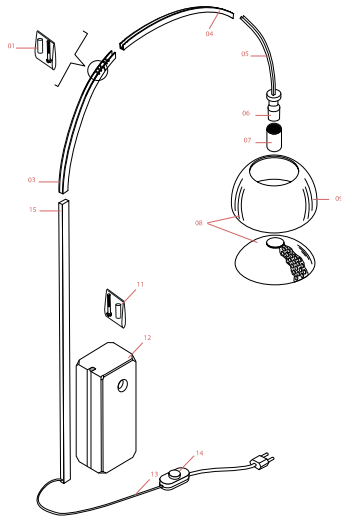


NOT INCLUDED

RF32771

LED Lamp 11W Im E27 220-  
240V 2700K A60

## Spare Parts



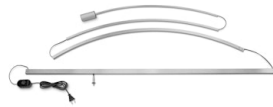
- |     |  |           |
|-----|--|-----------|
| 01. | Pins and screw set                                 | RF0300200 |
| 02. | Stem and channels EneC assembly with on/off switch | F0330000  |
| 03. | Long inox channel                                  | RF02970   |
| 04. | Medium inox channel                                | RF02971   |
| 05. | Small inox channel with lamp holder integrated     | RF02972   |
| 06. | Lamp holder with joint                             | RF0300300 |
| 07. | Anodized sleeve                                    | RF02593   |
| 08. | EneC reflector and grid                            | F0320000  |
| 09. | Polished reflector                                 | RF00797   |
| 10. | Polished grid                                      | RF01411   |
| 11. | Fixing screw with joint                            | RF0300100 |
| 12. | Marble base  | F0310000  |
| 13. | Electrical wiring assembly with on-off switch      | RF04724   |
| 14. | Black d/661 on-off switch                          | RF04392   |
| 15. | Inox stem  | RF21041   |

**DOWNLOAD**



RF0300200

Pins and screw set



F0330000

Stem and channels EneC assembly with on/off switch



RF02970

Long inox channel



RF02971

Medium inox channel



RF02972

Small inox channel with lamp holder integrated



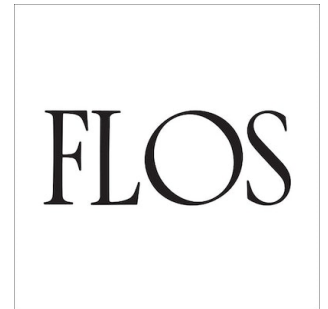
RF0300300

Lamp holder with joint



RF02593

Anodized sleeve



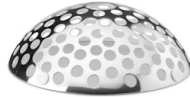
F0320000

EneC reflector and grid



RF00797

Polished reflector



RF01411

Polished grid



RF0300100

Fixing screw with joint



F0310000

Marble base



RF04724

Electrical wiring assembly with on-off switch



RF04392

Black d/661 on-off switch



RF21041

Inox stem