

Almendra Linear Suspension 3

Designed by Patricia Urquiola, 2022

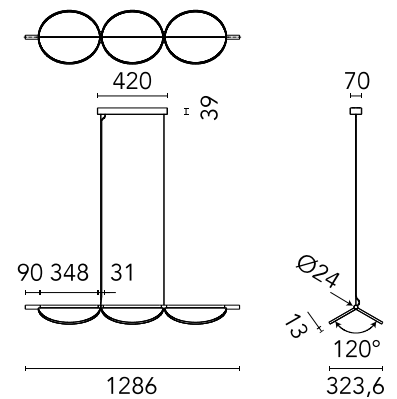
45W - 1338lm - 2700K - CRI> 95

Suspension lamp with diffused light emission available in linear and organic compositions. Tubular structure made of aluminium and CNC aluminium terminals with matte or metallized finish. Edge Lighting technology integrated. Light units can be turned by steps of 60° within the structure in order to change the direction of the light emitted. Metal rosette with matte white finish. The integrated electronics in the ceiling rose allow the use of different dimming systems: 1-10V, DALI, push-dim or potentiometer. Useful length of the cable 3 mt. The product has been designed according to the ISCC standards and it is assembled with total absence of glued components so that it can be completely separated for future recyclability.



Are you a professional and your project needs consulting and support?

[BOOK AN APPOINTMENT](#)



Main specifications

EAN	8059607048290
Mounting	Suspension
Environments	Indoor dry location
Light source type	LED
Light sources included	Yes
LED type	Edge Lighting
Power (W)	45
System flux (lm)	1338

Physical

Colour	Bay Blue Metallized
Length (mm)	1286
Cord colour	Clear
Cord length (mm)	2800
Canopy colour	White
Canopy length/diameter (mm)	420
Canopy width (mm)	70
Canopy height (mm)	39
Net weight (kg)	7.14
Package volume (m3)	0.15
IP internal	20

Download

Mounting instructions [↓ PDF](#)

Photometric Files

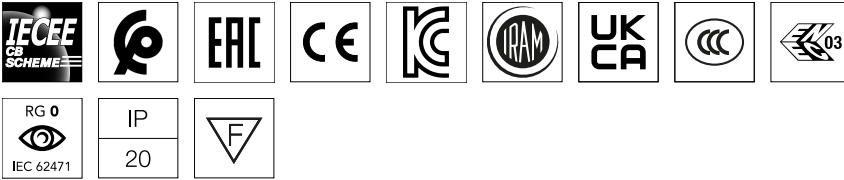
LDT / IES [↓ LDT](#)

Technical Drawings

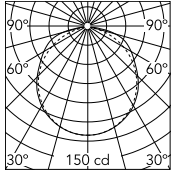
2D [↓ ZIP](#)

3D [↓ ZIP](#)

[Bim](#) [↓ ZIP](#)



Schematic light drawing



Beam Angle: 115°

h(m)	E(lx)	D(m)
1	150	3.14
2	38	6.28
3	17	9.41
4	9	12.55
5	6	15.69

Luminous flux luminaire
446 lm

Photometric

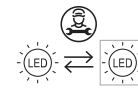
Lighting type	Direct
Light distribution	Symmetric
CCT (K)	2700
CRI>	95

Electrical

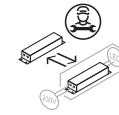
Insulation class	I
Frequency (Hz)	50/60
Main voltage (Vac)	220-240
Power supply	Integrated
Dimmable	Yes
Power supply type	Dimmable 0-10V, Dimmable Push, Dimmable 1-10V, Dimmable DALI 1
Dimming interface	Remote Dimmable (Dimmer Not Included)
Batteries inside	No

Ecodesign and Energy Labelling

This product contains a light source of energy efficiency class E

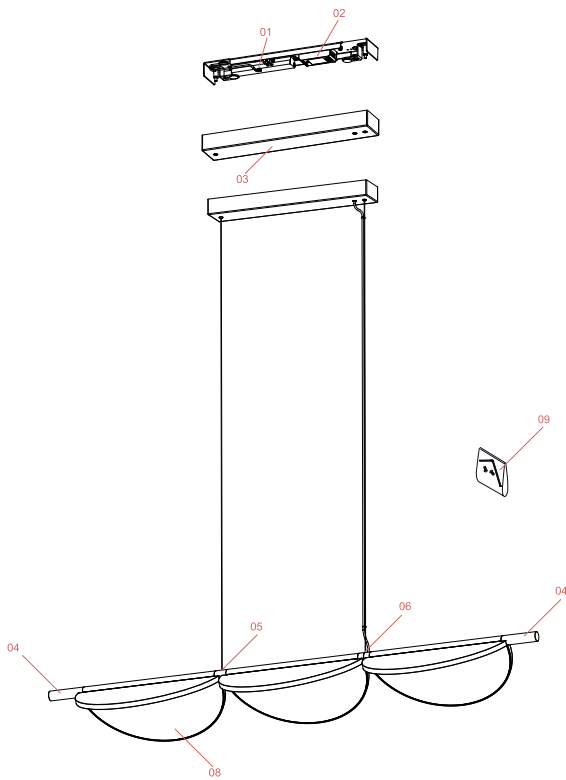


Replaceable (LED only)
light source by a
professional

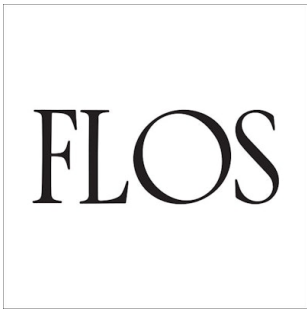


Replaceable control
gear by a professional

Spare Parts

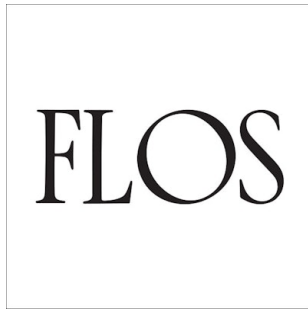


00.	Assembly Almendra S Central Feed Bay Blue Metallized	RF32525
00.	Driver 96W 48V 220-240V	RF32405
00.	Assembly Almendra S Body Bay Blue Metallized	RF32518
00.	Assembly Almendra S Wiring & Connections Bay Blue Metallized	RF32534
00.	Terminal Joint L90 Almendra Athracite	RF32777



RF32525

Assembly Almendra S Central
Feed Bay Blue Metallized



RF32405

Driver 96W 48V 220-240V



RF32518

Assembly Almendra S Body Bay
Blue Metallized



RF32534

Assembly Almendra S Wiring &
Connections Bay Blue Metallized



RF32777

Terminal Joint L90 Almendra
Athracite