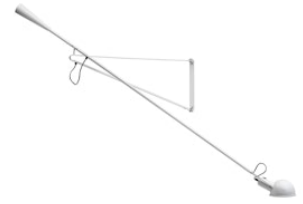


# FLOS

A0300009 White

**265**

Designed by Paolo Rizzatto, 1973

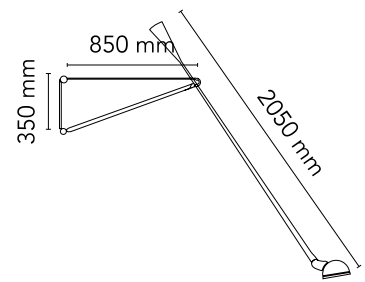


Halogen - 75W

Wall lamp providing direct light. Painted steel adjustable arm and reflector. Chrome-plated brass reflector support. Cast iron tapered counterweight. Painted steel wall fixture.

Are you a professional and your project needs consulting and support?

[BOOK AN APPOINTMENT](#)



## Main specifications

EAN	8059607012260
Mounting	Wall
Environments	Indoor dry location
Light source type	Bulb
Light sources included	No
Lamp category	Halogen
Lamp holders	E27
Ilcos	HSGSA
Number of lamps	1
Power (W)	75

## Physical

Colour	White
Length (mm)	2450
Cord length (mm)	2030
Net weight (kg)	5.7
Package height (mm)	2110
Package width (mm)	150
Package length (mm)	390
Package volume (m3)	0.12
IP internal	20

## Download

[Mounting instructions](#)



IK

00

## Photometric

Light distribution	Asymmetric
Extreme cut off	No

## Electrical

Insulation class	II
Frequency (Hz)	50/60
Main voltage (Vac)	220-250
Dimmable	Yes
Dimming interface	Switch Integrated (Remote Dimmable)
Plug type	Type C
Batteries inside	No

## Bulbs



NOT INCLUDED

RF32564

LED Lamp 11.5W E27 220-240V  
3000K A70

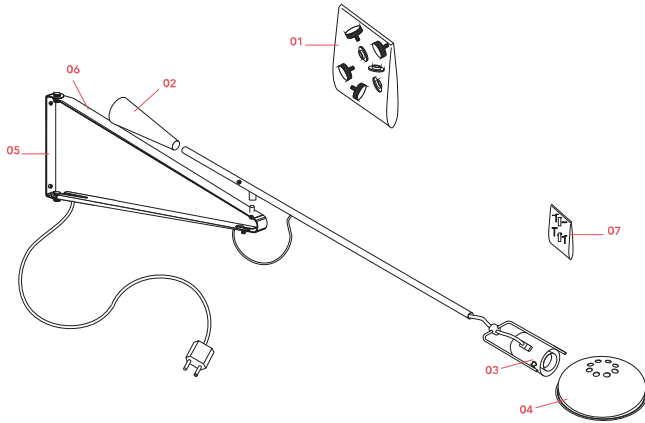


NOT INCLUDED

RF32563

LED Lamp 11.5W E27 220-240V  
2700K A70

## Spare Parts



- |     |  |           |
|-----|--|-----------|
| 01. | Screw set for wall attachment  | RA0300200 |
| 02. | White counterweight  | RF01855   |
| 03. | White lamp holder with reflector support and electrical cable assembly | RF01395   |
| 04. | White reflector  | RF00784   |
| 05. | White wall attachment  | RF02565   |
| 06. | White triangle stem support  | RF02563   |
| 07. | Screws bag group stm3x 3 ce c.10 p                                     | RF11719   |



RA0300200

Screw set for wall attachment



RF01855

White counterweight



RF01395

White lamp holder with reflector support and electrical cable assembly



RF00784

White reflector



RF02565

White wall attachment



RF02563

White triangle stem support



RF11719

Screws bag group stm3x 3 ce c.10 p