

FLOS

A1502009 Matte White

2097/50 (clear bulbs)

Designed by Gino Sarfatti, 1958



LED retrofit - 50 x 2W

Suspension lamp providing diffused light. Steel central structure with brass arms, both available either chromium-plated, matte black, matte white or golded. Steel ceiling fitting and rose.

Are you a professional and your project needs consulting and support?

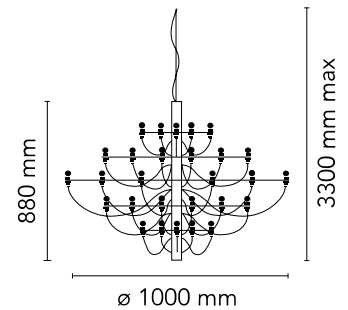
[BOOK AN APPOINTMENT](#)

Main specifications

EAN	8059607054741
Mounting	Suspension
Environments	Indoor dry location
Light source type	Bulb
Light sources included	Yes
Lamp category	LED retrofit
Lamp holders	E14
Icos	IBS/F
Number of lamps	50
Power (W)	2

Physical

Colour	Matte White
Length (mm)	1000
Cord colour	White
Cord length (mm)	2800
Canopy colour	White
Canopy length/diameter (mm)	146
Canopy height (mm)	36
Net weight (kg)	9.25
Package volume (m3)	0.03
IP internal	20



Download

[Mounting instructions](#)



Photometric

Lighting type	Total
Light distribution	Asymmetric

Electrical

Insulation class	I
Frequency (Hz)	50/60
Main voltage (Vac)	220-250
Dimmable	Yes
Dimming interface	Remote Dimmable (Dimmer Not Included)
Batteries inside	No

Bulbs



NOT INCLUDED

RF25316

LED Frosted Lamp 2,7W E14
150lm 2700K Dimmable T26
Dimmable



NOT INCLUDED

RF28422

LED Clear Lamp 2W E14 220-240
2200K T26 Dimmable



NOT INCLUDED

RF28889

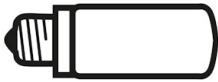
LED Frosted Mini Lamp E14 2,7W
2700K Dimmable (Set 20pcs)



INCLUDED

RF28890

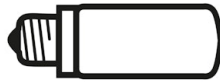
LED Clear Mini Lamp E14 2W
2200K Dimmable (Set 20pcs)



NOT INCLUDED

RF28987

LED Frosted Mini Lamp E14 2,7W
2700K Dimmable (set 32pcs)

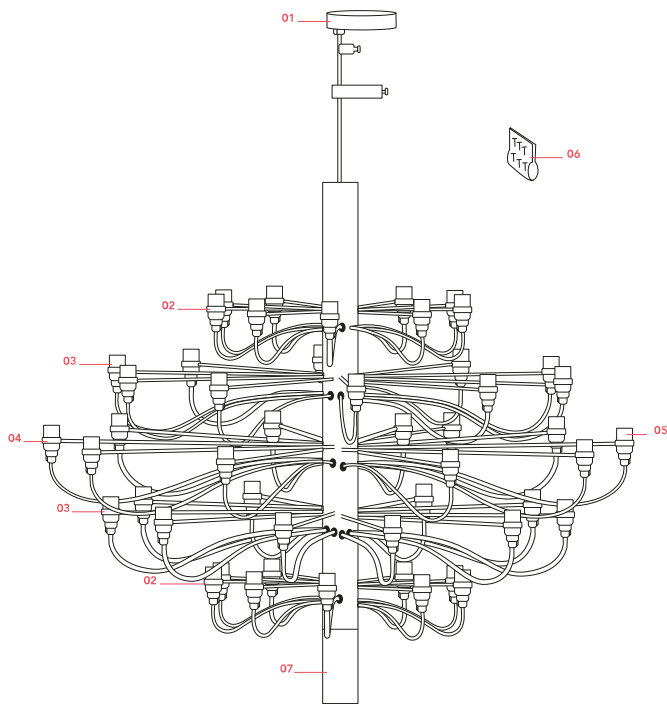


INCLUDED

RF28988

LED Clear Mini Lamp E14 2W
2200K Dimmable (Set 32pcs)

Spare Parts



- | | | |
|-----|----------------------------------|-----------|
| 01. | 2097-18-30-50 white ceiling rose | RF1500309 |
| 02. | White short arm | RF34425 |
| 04. | White long arm | RF34456 |
| 05. | 2097 E14 white lamp holder | RF34422 |
| 06. | White screw kit | RF1400400 |



RF1500309

2097-18-30-50 white ceiling rose



RF34425

White short arm



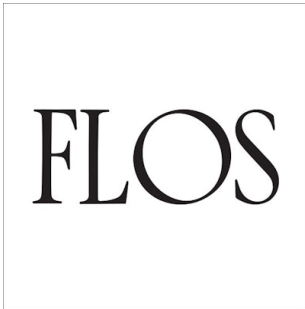
RF34456

White long arm



RF34422

2097 E14 white lamp holder



RF1400400

White screw kit