

# FLOS

F0011009 White

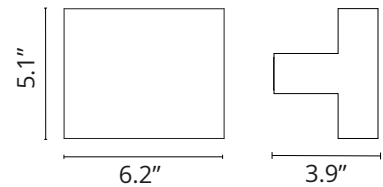
## Tight Light

Designed by Piero Lissoni, 2011



20W - 1989lm - 3000K

Designed by Piero Lissoni in 2011, the Tight Light plays on the perspective of size with outstanding results. The main body of this wall lamp is made of white painted extruded aluminum. The lateral friezes are die-cast aluminum and have been rotated to 45-degrees using digital control in order to flow seamlessly with the light's body. The injection-printed PMMA (Polymethyl methacrylate) diffusers have a photo-engraved finish and the attachment is PA66. The junction box is covered with a back plate. The profile is shaped like the letter "T" for "Tight Light." The Tight Light offers indirect non-dimmable light. Inspiration behind the design: As he designed the Long Light and the Tight Light, Piero Lissoni considered both the smallness and the magnificence of the universe. His design is the epitome of purity and minimalism.



Are you a professional and your project needs consulting and support?

[BOOK AN APPOINTMENT](#)

### Main specifications

EAN	8059607013045
Mounting	Wall
Environments	Indoor dry location
Light Source Type	LED
Light sources included	Yes
LED type	LED Module
Power (W)	20
System flux (lm)	1989

### Physical

Color	White
Length (in)	3.94
Net weight (lb)	2.42
Gross weight (lb)	2.98
Package height (in)	6.3
Package width (in)	7.09
Package length (in)	8.27
Package volume (in)	368.58
IP internal	20

### Download

[Mounting instructions](#)  PDF

### Photometric Files

[LDT / IES](#)  LDT

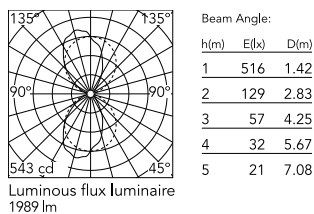
### Technical Drawings

[2D](#)  ZIP

[3D](#)  ZIP



## Schematic light drawing



## Photometric

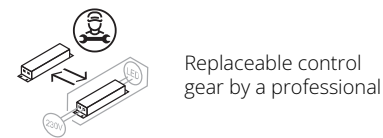
Lighting type	Direct, Indirect
Light distribution	Symmetric
CCT (K)	3000
Extreme cut off	No

## Electrical

Insulation class	I
Frequency (Hz)	50/60
Main voltage (Vac)	100-240
Driver	Integrated
Dimmable	No
Dimming type	Non Dimmable
Dimming interface	Not Dimmable
Batteries inside	No

## Ecodesign and Energy Labelling

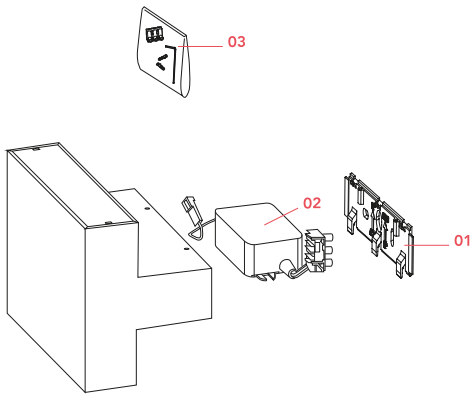
This product contains a light source of energy efficiency class D



# Spare Parts

02. Driver assembly

RF0011100





RF0011100

Driver assembly