

# FLOS

06.5052.14 Black

## The Tracking Magnet Recessed Profile Casambi / On Board Dimmer compatible

Designed by FLOS Architectural, 2018



Electromechanical profile for recessed installation in plasterboard ceilings and walls, available in lengths from 1m to 3m.

Are you a professional and your project needs consulting and support?

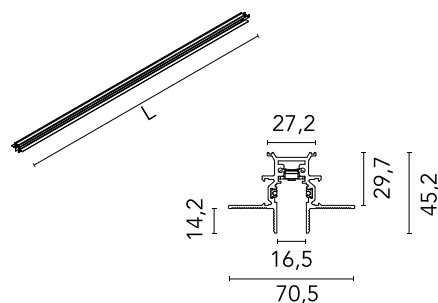
[BOOK AN APPOINTMENT](#)

### Main specifications

Mounting	Wall recessed, Ceiling recessed
Environments	Indoor dry location
Light sources included	no

### Physical

Colour	Black
Trim	No
Field cuttable	Yes
Recessed depth (mm)	45
Length (mm)	2000
Net weight (kg)	2.5
IP internal	20
IP external	20



### Download

[Mounting instructions](#)

[PDF](#)



## Electrical

Forward voltage (V)	48
Power supply	Remote
Dimmable	Yes
Power supply type	Dimmable Casambi, Dimmer on board
Emergency	No

## Notes

Version compatible with "On board dimmer" luminaries and version compatible with system controlled luminaries (DALI, 1-10V, FLOS SMART CONTROL) available. Corners, connectors and accessories common for the two profile versions. Feed connector, intermediated connector and end-caps to be ordered separately. Mechanical 90° corners available in the same plane (symmetrical element for left and right corners), symmetrical 90° inner and outer corners in different planes. Intermediate connectors to be ordered separately if electrical continuity on corners is required. Corners do not admit installation of spots. Fixed or adjustable fastening kits available (optional). The fastening kits for the roof permit installing without using aluminium fastening profiles. Recommended for installations where the Tracking Magnet can be installed before the suspended plasterboard ceiling.

---

## Accessories & Power Supply



REQUIRED  
Accessory

06.5008.14

The Tracking Magnet Recessed Profile End Caps



REQUIRED  
Accessory

Electrical

08.0611.14

The Tracking Magnet Profile Feed Connector



REQUIRED  
Accessory

Electrical

08.0612.14

The Tracking Magnet Profile Intermediate Connector Straight



REQUIRED

Installation

08.8866.14

Fixed ceiling kit. 2 unit kit



REQUIRED

Installation

08.8867.14

Adjustable ceiling kit. 2 unit kit



REQUIRED  
Power supply

Electrical

60.8919

LED Power Supply Source for remote installation. 48V/320W. 100/240 Vac



REQUIRED  
Power supply

Electrical

60.9170

LED power supply source for remote installation, 48V/120W. 220/240 Vac



REQUIRED  
Power supply

Electrical

60.9607

LED power supply source for remote installation, 110Vac-150W / 220Vac-200W



## REQUIRED

Electrical

06.1988.14

Multifunction Smart Device for  
Tracking Magnet & Infra-Structure