

FLOS

06.6013.14 Black

The Micro Running Magnet Surface Profile

Designed by FLOS Architectural, 2020

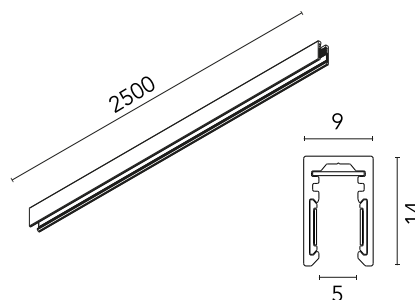


Length: 2500 - Wall surface, Ceiling surface

'Electromechanical profile of reduced size for installation on surfaces (ceiling or wall) with lengths from 1 to 3 m.

Are you a professional and your project needs consulting and support?

[BOOK AN APPOINTMENT](#)



Main specifications

Mounting	Wall surface, Ceiling surface
Environments	Indoor dry location
Light sources included	No
Power (W)	120

Physical

Colour	Black
Length (mm)	2500
Net weight (kg)	0.41
IP internal	20

Download

[Mounting instructions](#)

[PDF](#)



Electrical

Insulation class	III
Forward voltage (V)	24
Power supply	Remote excluded
Dimmable	Yes
Power supply type	Non Dimmable
Dimming interface	Remote Dimmable (Dimmer Not Included)

Accessories & Power Supply



REQUIRED
Power supply

Electrical

60.9374

Remote Power Supply Non
Dimmable 24V. 60W. 220/240V



REQUIRED

Installation

06.6034.14

Recessed/Surface Feed
Connector



REQUIRED
Power supply

Electrical

60.9777A

Remote Power Supply Non
Dimmable 24V. 120W. 220/240V



REQUIRED

Installation

06.6036.14

Recessed/Surface End Caps. 1
unit kit



REQUIRED
Power supply

Electrical

60.9516

Remote Power Supply Non
Dimmable 24V. 120W. 220/240V



REQUIRED
Power supply

Electrical

60.9443

Remote Power Supply Non
Dimmable 24V. 100W. 220/240V



REQUIRED
Power supply

Electrical

60.9515

Remote Power Supply Non
Dimmable 24V. 60W. 220/240V



OPTIONAL
Accessory

Electrical

60.9394

Controller 0/1-10V or Push Dim.
Max 10A



OPTIONAL
Installation

06.6035.14
Recessed/Surface Intermediate
Connector



OPTIONAL
Control interface
Electrical

60.9677A
LED module DALI/Push dimmable
control unit for 12, 24 or 48Vdc



OPTIONAL
Accessory
Electrical

60.9938
Controller Casambi. Max 12A



OPTIONAL
Corner
Installation

06.6031.14
Surface 90° Corner. Electrical /
Mechanical Joint



OPTIONAL
Corner
Installation

06.6033.14
Surface Inner Corner. Electrical /
Mechanical Joint