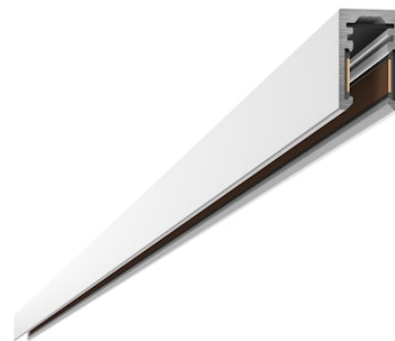


# FLOS

06.6011.40 White

## The Micro Running Magnet Surface Profile

Designed by FLOS Architectural, 2020

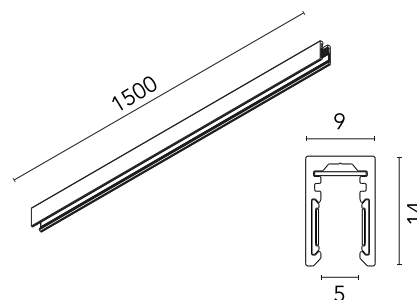


Length: 1500 - Wall surface, Ceiling surface

'Electromechanical profile of reduced size for installation on surfaces (ceiling or wall) with lengths from 1 to 3 m.

Are you a professional and your project needs consulting and support?

[BOOK AN APPOINTMENT](#)



### Main specifications

Mounting	Wall surface, Ceiling surface
Environments	Indoor dry location
Light sources included	No
Power (W)	120

### Physical

Colour	White
Length (mm)	1500
Net weight (kg)	0.24
IP internal	20

### Download

[Mounting instructions](#)



## Electrical

Insulation class	III
Forward voltage (V)	24
Power supply	Remote excluded
Dimmable	Yes
Power supply type	Non Dimmable
Dimming interface	Remote Dimmable (Dimmer Not Included)

## Accessories & Power Supply



REQUIRED  
Power supply

Electrical

60.9516

Remote Power Supply Non  
Dimmable 24V, 120W, 220/240V



REQUIRED  
Power supply

Electrical

60.9443

Remote Power Supply Non  
Dimmable 24V, 100W, 220/240V



REQUIRED  
Power supply

Electrical

60.9777A

Remote Power Supply Non  
Dimmable 24V, 120W, 220/240V



REQUIRED  
Power supply

Electrical

60.9515

Remote Power Supply Non  
Dimmable 24V, 60W, 220/240V



REQUIRED  
Power supply

Electrical

60.9374

Remote Power Supply Non  
Dimmable 24V, 60W, 220/240V



REQUIRED

06.6034.40

Recessed/Surface Feed  
Connector



REQUIRED

Installation

06.6036.40

Recessed/Surface End Caps, 1  
unit kit



OPTIONAL  
Accessory

Electrical

60.9938

Controller Casambi, Max 12A



OPTIONAL  
Installation

06.6035.14  
Recessed/Surface Intermediate  
Connector



OPTIONAL  
Accessory  
Electrical

60.9394  
Controller 0/1-10V or Push Dim.  
Max 10A



OPTIONAL  
Control interface  
Electrical

60.9677A  
LED module Dali/Push dimmable  
control unit for 12, 24 or 48Vdc



OPTIONAL  
Corner  
Installation

06.6033.40  
Surface Inner Corner. Electrical /  
Mechanical Joint



OPTIONAL  
Corner  
Installation

06.6031.40  
Surface 90° Corner. Electrical /  
Mechanical Joint