

FLOS

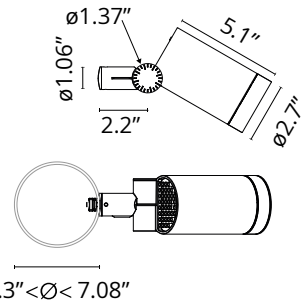
 F02504CAU18 Deep Brown

Spine T 1 Absolute

Designed by Vincent Van Duysen, 2021



LED COB light source integrated. Integrated electric power supply ON/OFF. Integrated support for pole fixing, for poles with a diameter between 60 and 120 mm and a maximum thickness of 3 mm. Equipped with a 5 m neoprene cable (10 m upon request) for remote connection. To guarantee its water tightness, it is recommended to use flexible cables designed for outdoor use. Upon request: 1-10 V or DALI dimmable version with 24 Vdc remote power supply.



Are you a professional and your project needs consulting and support?

[BOOK AN APPOINTMENT](#)

Main specifications


EAN	8054793411316
Mounting	Pole Top
Environments	Outdoor wet location
Light Source Type	LED
Light sources included	Yes
LED type	Power LED
System power (W)	11
Source flux (lm)	1364
System flux (lm)	993

Physical


Color	Deep Brown
Orientation	Adjustable
Rotation (°)	360
Longitudinal tilting (°)	270
Cord length (in)	196.850
Net weight (lb)	1.98
Gross weight (lb)	2.87
Package height (in)	10.43
Package width (in)	11.42
Package length (in)	8.07
Package volume (in)	961.37
IP internal	66
IP external	66

Download

[Family spec sheet](#)  ZIP

[Mounting instructions](#)  ZIP

Photometric Files

[LDT / IES](#)  ZIP

Technical Drawings

[2D](#)  ZIP

[3D](#)  ZIP

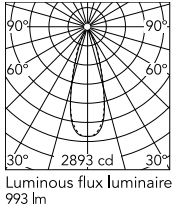
Ecodesign and Energy

Labelling

This product contains a light source of energy efficiency class E



Schematic light drawing



Photometric

Lighting type	Direct
Light distribution	Symmetric
CCT (K)	4000
CRI>	80
Beam angle C0-180 (°)	33
Beam angle C90-270 (°)	33
Extreme cut off	No

Electrical

Insulation class	I
Frequency (Hz)	50/60
Main voltage (Vac)	110-127
Driver	Integrated
Dimmable	No
Dimming type	Non Dimmable
Dimming interface	Not Dimmable

Notes

5 m neoprene cable (10 m upon request) for remote connection.

Accessories & Power Supply



OPTIONAL Accessory

F990G300000

Base plate with Bolts for Pole Ø
76 mm h 3000/4000 mm with
Base



OPTIONAL Accessory

FA116

Base Plate and Fixing Bolts for
Pole Ø 102 mm h 4000/5000 mm
with Base



OPTIONAL Accessory

F025Z060000

Honeycomb Louvre