


# FLOS

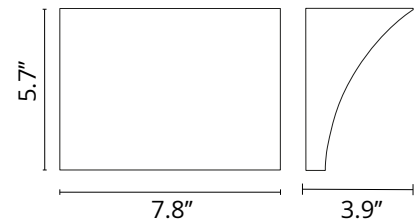
 FU970520 Grey

## Pochette Up/Down Led

Designed by Rodolfo Dordoni, 2003



Designed by Rodolfo Dordoni, Pochette Up & Down, an indoor LED wall sconce providing upward and downward lighting for a harmonious indirect and direct light in residential or commercial settings. Pressured die-cast Zamak alloy, this wall sconce is available in matte gray, white or chrome-plated finish. Molded steel, galvanized white back plate contains the wall attachment system as well as the electrical devices. Inspiration behind the design: His work draws inspiration from a minimalist aesthetic: like Rodolfo Dordoni's most beloved designs, the Pochette makes good use of less material to create a piece that is decidedly efficient.



Are you a professional and your project needs consulting and support?

[BOOK AN APPOINTMENT](#)


### Main specifications

EAN	8059607012246
Mounting	Wall
Environments	Indoor dry location
Light Source Type	LED
Light sources included	Yes
LED type	LED Module
Power (W)	22
System flux (lm)	1744

### Physical

Color	Grey
Length (in)	7.76
Net weight (lb)	3.75
Gross weight (lb)	4.19
Package height (in)	10.43
Package width (in)	5.32
Package length (in)	7.09
Package volume (in)	392.99
IP internal	20

### Download

[Mounting instructions](#)  PDF

### Photometric Files

[LDT / IES](#)  LDT

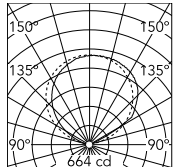
### Technical Drawings

[2D](#)  ZIP

[3D](#)  ZIP



## Schematic light drawing



Beam Angle: 107°

h(m)	E(lx)	D(m)
1	659	2.74
2	165	5.47
3	73	8.21
4	41	10.95
5	26	13.68

Luminous flux Luminaire  
1744 lm

## Photometric

Light distribution	Symmetric
CCT (K)	2700
CRI>	90
Extreme cut off	No

## Electrical

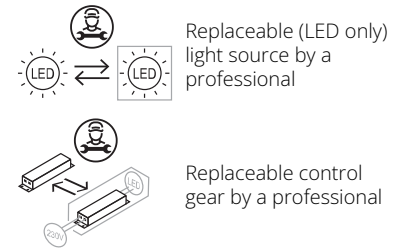
Insulation class	I
Frequency (Hz)	50/60
Main voltage (Vac)	120-277
Driver	Integrated
Dimmable	Yes
Dimming type	Dimmable 1-10V
Dimming interface	Remote Dimmable (Dimmer Not Included)
Batteries inside	No

## Notes

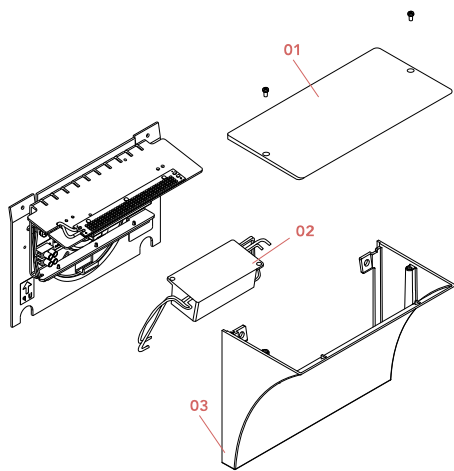
Compliance: ADA

## Ecodesign and Energy Labelling

This product contains a light source of energy efficiency class E



## Spare Parts



- |     |                         |         |
|-----|-------------------------|---------|
| 01. | Up transparent diffuser | RF25606 |
| 02. | Led power supply        | RF25062 |
| 03. | Pochette up/Down Body   | RF25618 |



RF25606

Up transparent diffuser



RF25062

Led power supply



RF25618

Pochette up/Down Body