

# FLOS

F021MWLJ018 Deep Brown

## Outgraze 50 RGBW L 900 mm Deep Brown

Designed by FLOS Outdoor, 2019



Integrated 120/240V power supply and DMX-RDM interface. Installation brackets, to be ordered separately. Sandblasted glass.

Are you a professional and your project needs consulting and support?

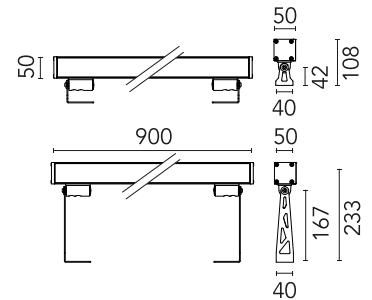
[BOOK AN APPOINTMENT](#)

### Main specifications

EAN	8054793365398
Mounting	Wall
Environments	Outdoor wet location
Light source type	LED
Light sources included	Yes
LED type	Power LED
Number of lamps	1
Power (W)	33
System power (W)	33

### Physical

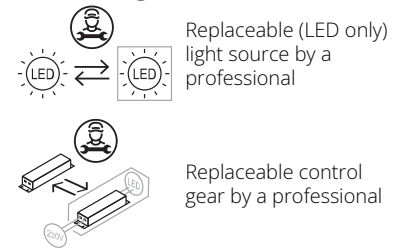
Colour	Deep Brown
Trim	No
Orientation	Adjustable
Transversal tilting (°)	180
Length (mm)	900
Net weight (kg)	2.47
Package height (mm)	970
Package width (mm)	120
Package length (mm)	120
Package volume (m3)	0.01
IP internal	66
Drive Over	No



### Download

[Mounting instructions](#)  ZIP

### Ecodesign and Energy Labelling



## Photometric

Lighting type	Direct
Light distribution	Symmetric
CCT (K)	RGB
CRI>	80
Beam angle C0-180 (°)	50
Beam angle C90-270 (°)	50

## Electrical

Insulation class	I
Frequency (Hz)	50/60
Main voltage (Vac)	220-240
Power supply	Integrated
Dimmable	Yes
Power supply type	Dimmable DMX
Dimming interface	Dimmer Integrated
Emergency	No

## Notes

We recommend using a connection system with a degree of protection greater than or equal to the degree of protection of the luminaire.

During the installation and the maintenance of the fixtures it is important to be careful and avoid damages on the paint coating.

Damages on the coating exposed to outdoor conditions or water, could cause corrosion.

Chemical substances affect the anticorrosion covering protection.

For LED fixtures, there is evidence that most of the damages are connected to electrical effects related to the insulations, which cause destructive electrical discharges

These effects are frequently caused by:

- over voltage coming from the mains' network where fixture is connected.
- electrostatic discharge (ESD) coming from the environment.

The use of a protective device against the overvoltage on the electrical installation is warmly suggest this helps to reduce the intensity of some of these phenomenon and prevent irreversible damages. The selection of the type of device to be used must be adjust on the electrical plant.

## Accessories & Power Supply



REQUIRED  
Accessory

F021Z060000

5-pole plug&play connector + 5-pole cable, 5000 mm length.



REQUIRED  
Accessory

F1204018

One pair of long brackets L 200 mm. Deep Brown



REQUIRED  
Accessory

F1203018

One pair of short brackets L 80 mm. Deep Brown



REQUIRED  
Accessory

F021Z040000

Plug&play connector 5 poles



REQUIRED  
Accessory

F990C030000

4 way junction box 5 poles IP68 (6-14 mm cables)



REQUIRED  
Accessory

F990B10A000

DMX controller; dimmer switch for recessed box (60mm hole centres)



REQUIRED  
Accessory

F990B11A000

DMX controller; stand-alone/pc interface.



REQUIRED  
Accessory

F990B13A000

DMX splitter 512



REQUIRED  
Accessory

F990B12A000

DMX cable - shielded twisted pair  
with 110 Ohm constant  
impedance



REQUIRED  
Accessory

F990C080000

Connector kit 5-pole flying socket  
+ EU plug IP68.



REQUIRED  
Accessory

F990C010000

3/4 way terminal block 4 poles  
IP68 H2O stop. (ø5,5÷12mm  
cable)



REQUIRED  
Power supply

RF25747

Power supply 24V 10W /110-240V  
IP20 Class II selv. Non Dimmable