

# FLOS

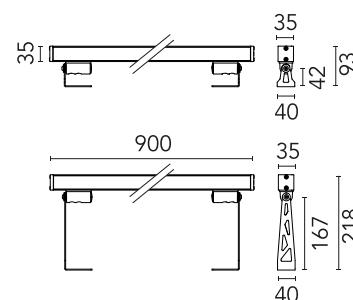
F020C13H018 Deep Brown

## Outgraze 35 L 900 mm Deep Brown

Designed by FLOS Outdoor, 2019



48V remote power supply and installation brackets to be ordered separately. Extra clear transparent glass, excluding the DIFFUSE version with sandblasted glass. Dimmable PWM luminaires. SMART version available upon request (power 11W - flux -50% lm).



Are you a professional and your project needs consulting and support?

[BOOK AN APPOINTMENT](#)

### Main specifications

|                        |                      |
|------------------------|----------------------|
| EAN                    | 8054793334073        |
| Mounting               | Wall                 |
| Environments           | Outdoor wet location |
| Light source type      | LED                  |
| Light sources included | Yes                  |
| LED type               | Power LED            |
| Number of lamps        | 1                    |
| Power (W)              | 18                   |
| System power (W)       | 18                   |
| Lumen Output (lm)      | 1623                 |

### Physical

|                         |            |
|-------------------------|------------|
| Colour                  | Deep Brown |
| Trim                    | No         |
| Orientation             | Adjustable |
| Transversal tilting (°) | 180        |
| Length (mm)             | 900        |
| Net weight (kg)         | 1.85       |
| Package height (mm)     | 130        |
| Package width (mm)      | 115        |
| Package length (mm)     | 970        |
| Package volume (m3)     | 0.01       |
| IP internal             | 66         |
| Drive Over              | No         |

### Download

[Mounting instructions](#)  ZIP

### Photometric Files

[LDT / IES](#)  ZIP

### Technical Drawings

[2D](#)  ZIP

[3D](#)  ZIP

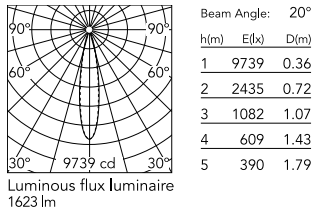


### Ecodesign and Energy Labelling

  Replaceable (LED only) light source by a professional

  Replaceable control gear by a professional

## Schematic light drawing



### Photometric

|                        |           |
|------------------------|-----------|
| Lighting type          | Direct    |
| Light distribution     | Symmetric |
| CCT (K)                | 2200      |
| CRI>                   | 80        |
| Beam angle C0-180 (°)  | 18        |
| Beam angle C90-270 (°) | 18        |
| Extreme cut off        | No        |

### Electrical

|                    |  |
|--------------------|--|
| Insulation class   | III                                      |
| Main voltage (Vac) | 48                                       |
| Power supply       | Remote                                   |
| Dimmable           | Yes                                      |
| Power supply type  | Dimmable DALI PWM,<br>Dimmable 1-10 PWM  |
| Dimming interface  | Remote Dimmable<br>(Dimmer Not Included) |
| Emergency          | No                                       |

### Notes

We recommend using a connection system with a degree of protection greater than or equal to the degree of protection of the luminaire.

During the installation and the maintenance of the fixtures it is important to be careful and avoid damages on the paint coating.

Damages on the coating exposed to outdoor conditions or water, could cause corrosion.

Chemical substances affect the anticorrosion covering protection.

For LED fixtures, there is evidence that most of the damages are connected to electrical effects related to the insulations, which cause destructive electrical discharges

These effects are frequently caused by:

- over voltage coming from the mains' network where fixture is connected.
- electrostatic discharge (ESD) coming from the environment.

The use of a protective device against the overvoltage on the electrical installation is warmly suggest this helps to reduce the intensity of some of these phenomenon and prevent irreversible damages. The selection of the type of device to be used must be adjust on the electrical plant.

## Accessories & Power Supply



REQUIRED  
Power supply

RF25753

Power supply 48V 60W / 110-240V IP67 Class II selv eq.



REQUIRED  
Power supply

RF25746

Power supply 48V 240W /110-240V single output DIN RAIL.



REQUIRED  
Accessory

F1204018

One pair of long brackets L 200 mm. Deep Brown



REQUIRED  
Accessory

F1203018

One pair of short brackets L 80 mm. Deep Brown



REQUIRED  
Accessory

F990C010000

3/4 way terminal block 4 poles IP68 H2O stop. (ø5,5÷12mm cable)



REQUIRED  
Accessory

F021Z010000

Plug&play connector 4 poles



REQUIRED  
Power supply

F990B08A000

CONTROL INTERFACE 48V PWM - DALI IP20 CLASS III. Vin 48Vdc 120W (POWER SUPPLY NOT INCLUDED)



REQUIRED  
Power supply

F990B15A000

CONTROL INTERFACE 48V PWM - 1..10V IP20 CLASS III. VIN 48Vdc 120W (POWER SUPPLY NOT INCLUDED)



REQUIRED  
Accessory

F990C00A000

2 way terminal block 4 poles IP68  
H20 stop. (ø5,5+12mm cable)



REQUIRED  
Accessory

F021Z090000

Double 4-pole plug&play  
connector + 4-pole cable, 600  
mm length.



REQUIRED  
Accessory

F021Z100000

4-pole plug&play connector + 4-  
pole cable, 5000 mm length.



REQUIRED  
Accessory

F021Z070000

Cap for panel (on the fixtures)  
plug connector 4-5 poles