

FU468109 Textured White

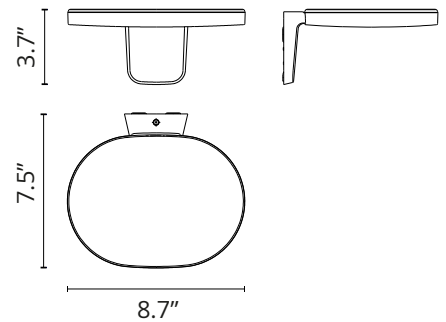
## Oplight

Designed by Jasper Morrison, 2021



16W - 1325lm - 2700K - CRI> 90

Oplight is Jasper Morrison's latest design for Flos. A new, minimalist wall sconce that illuminates a whole room rather than a mere path marker, Oplight is a future-proof lamp conceived to last a long time and to be utterly recyclable at its end-of-life. Oplight is the latest outcome of the meeting between Jasper Morrison's Super Normal design philosophy (a constant effort of refining archetypes to create a "perfect normality") and Flos' capacity to interpret its time, starting from environmental requirements. Despite its thicknesses, no glue was used to assemble the components. All parts can be separated, replaced individually, and recycled at the end of their life. Available in two sizes and four finishes: textured white, textured metallic gray, textured anthracite, and satin black. All finishes selected in collaboration with Jasper Morrison make Oplight extraordinarily versatile and enhance the materialism of the product. W1: 8.7" L x 3.7" H x 7.6" W W2: 11.5" L x 4.9" H x 10" W Please note that the W1 version contains a backplate not shown in the images.



Are you a professional and your project needs consulting and support? [BOOK AN APPOINTMENT](#)

### Main specifications

EAN	8059607040324
Mounting	Wall
Environments	Indoor dry location
Light Source Type	LED
Light sources included	Yes
LED type	LED Module
Power (W)	16
System flux (lm)	1325

### Physical

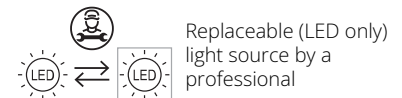
Color	Textured White
Length (in)	7.87
Net weight (lb)	1.98
Gross weight (lb)	3.42
Package height (in)	11.02
Package width (in)	6.3
Package length (in)	12.6
Package volume (in)	884.85
IP internal	20

### Download

- Mounting instructions [↓ PDF](#)
- Dimmers or chargers compatible [↓ PDF](#)

### Ecodesign and Energy Labelling

This product contains a light source of energy efficiency class F





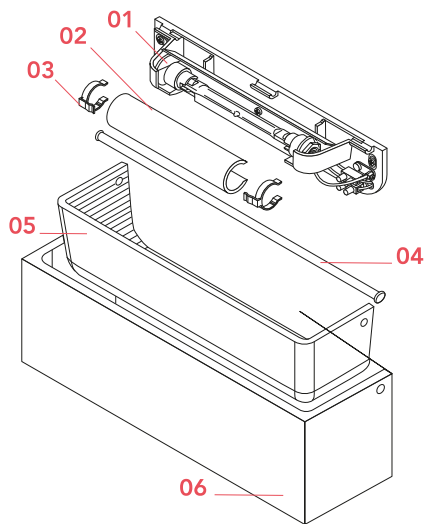
## Photometric

Lighting type	Indirect
Light distribution	Symmetric
CCT (K)	2700
CRI>	90
Extreme cut off	No

## Electrical

Insulation class	I
Frequency (Hz)	50/60
Main voltage (Vac)	120
Driver	Integrated
Dimmable	Yes
Dimming type	Mains Cut Dimming
Dimming interface	Remote Dimmable (Dimmer Not Included)

## Spare Parts



01. Oplight Wall 1 Diffuser

RF31153

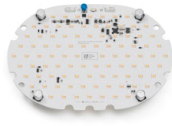
02. Oplight Wall 1 Led Kit

RFU468110



RF31153

Oplight Wall 1 Diffuser



RFU468110

Oplight Wall 1 Led Kit