

# FLOS

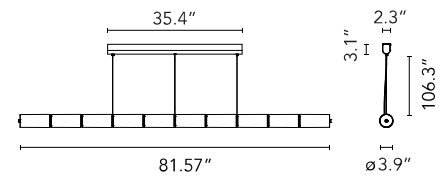
FU374400 Glass

## Luce Orizzontale S2

Designed by Ronan & Erwan Bouroullec, 2022

145W - 6682lm - 2700K - CRI> 95

Suspended lamp consisting of interconnected glass modules that reach a length of 1.66 mt. (S1) 2.07 mt. (S2) 2.49 mt. (S3) with 2.70 m suspended power cable. The cylindrical transparent glass modules are created through an artisanal process by pouring the glass into a rotating mold to obtain an exclusive finish that makes each single piece unique. Internal structure in polished extruded aluminum equipped with two linear LED modules for direct and indirect lighting downwards. The modules can be easily removed and replaced in case of maintenance. The power supply unit and the Dali Dimmer are located within the ceiling rose while a touch control button, positioned on one end of the product, allows the luminaire to be controlled in three different modes. Control options available: TOUCH\_ Features direct control via the touch button on the lamp. This option allows to dim and adjust the light intensity of both the up and down emission (individually or combined) from 10% to 100%. PUSH&TOUCH\_ Features remote on/off control via Push button as well as dim and adjustability of the light intensity of both the up and down emission (individually or combined) from 10% to 100% through the touch button integrated on the lamp. DALI&TOUCH\_ Features on/off control as well as dim and adjustability of the light intensity of both the up and down emission (individually or combined) from 10% to 100% through the touch button integrated on the lamp and remotely via DALI DT6.



Are you a professional and your project needs consulting and support?

[BOOK AN APPOINTMENT](#)

### Download

Mounting instructions [↓ PDF](#)

### Photometric Files

ULD [↓ ULD](#)

### Technical Drawings

2D [↓ DWG](#)

3D [↓ ZIP](#)

## Main specifications

EAN	8059607049976
Mounting	Suspension
Environments	Indoor dry location
Light Source Type	LED
Light sources included	Yes
LED type	LED Module
Power (W)	145
System flux (lm)	6682

## Physical

Color	Glass
Length (in)	81.57
Cord color	Clear
Cord length (in)	106.299
Canopy color	White
Canopy width (in)	2.402
Canopy height (in)	3.071
Net weight (lb)	75.62
Gross weight (lb)	97.44
Package volume (in)	13349.61
IP internal	20

## Ecodesign and Energy Labelling

This product contains a light source of energy efficiency class F



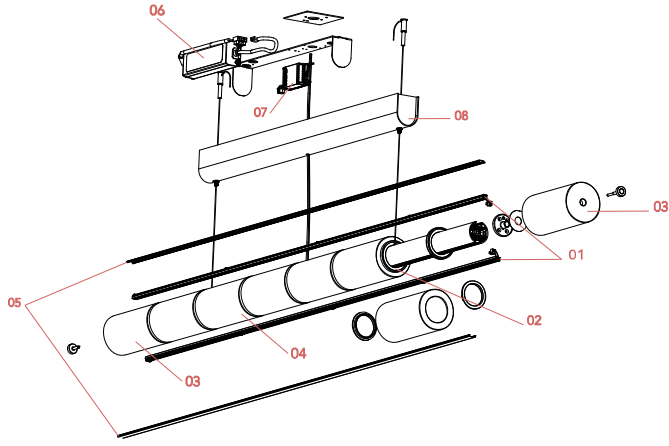
## Photometric

Lighting type	Direct, Indirect
Light distribution	Symmetric
CCT (K)	2700
CRI>	95
Extreme cut off	No

## Electrical

Insulation class	I
Frequency (Hz)	50/60
Main voltage (Vac)	100-240
LED current (mA)	600
Driver	Integrated
Dimmable	Yes
Dimming type	Dimmer on board
Dimming interface	Dimmer Integrated

## Spare Parts



00.	Luce Orizzontale S2 UL Assembly Accessories kit	RF34057
01.	Luce Orizzontale Suspension 2 Led board	RF3747300
02.	Luce Orizzontale Ring and 4 mt wiring	RF3746200
03.	Luce Orizzontale Closed glass difusser	RF3746300
04.	Luce Orizzontale Open glass difusser	RF3746400
05.	Luce Orizzontale Suspension 2 Linear diffuser	RF3747200
07.	Luce Orizzontale Ceiling rose dimmer	RF36893
08.	Luce Orizzontale Suspension 1/2 Ceiling rose cover	RF3746600



RF34057  
Luce Orizzontale S2 UL Assembly  
Accessories kit



RF3747300  
Luce Orizzontale Suspension 2  
Led board



RF3746200  
Luce Orizzontale Ring and 4 mt  
wiring



RF3746300  
Luce Orizzontale Closed glass  
difusser



RF3746400  
Luce Orizzontale Open glass  
difusser



RF3747200  
Luce Orizzontale Suspension 2  
Linear diffuser



RF36893  
Luce Orizzontale Ceiling rose  
dimmer



RF3746600  
Luce Orizzontale Suspension 1/2  
Ceiling rose cover