

FLOS

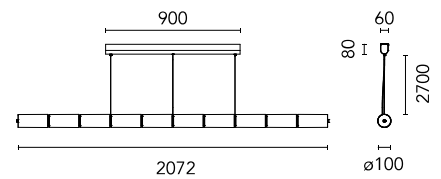
F3744000 Glass

Luce Orizzontale S2

Designed by Ronan & Erwan Bouroullec, 2022

145W - 6682lm - 2700K - CRI> 95

Suspended lamp consisting of interconnected glass modules that reach a length of 1.66 mt. (S1) 2.07 mt. (S2) 2.49 mt. (S3) with 2.70 m suspended power cable. The cylindrical transparent glass modules are created through an artisanal process by pouring the glass into a rotating mold to obtain an exclusive finish that makes each single piece unique. Internal structure in polished extruded aluminum equipped with two linear LED modules for direct and indirect lighting downwards. The modules can be easily removed and replaced in case of maintenance. The power supply unit and the Dali Dimmer are located within the ceiling rose while a touch control button, positioned on one end of the product, allows the luminaire to be controlled in three different modes. Control options available: TOUCH_ Features direct control via the touch button on the lamp. This option allows to dim and adjust the light intensity of both the up and down emission (individually or combined) from 10% to 100%. PUSH&TOUCH_ Features remote on/off control via Push button as well as dim and adjustability of the light intensity of both the up and down emission (individually or combined) from 10% to 100% through the touch button integrated on the lamp. DALI&TOUCH_ Features remote on/off control via DALI DT6 as well as dim and adjustability of the light intensity of both the up and down emission (individually or combined) from 10% to 100% through the touch button integrated on the lamp.



Are you a professional and your project needs consulting and support?

[BOOK AN APPOINTMENT](#)

Download

[Mounting instructions](#)  PDF

Photometric Files

[ULD](#)  ULD

Technical Drawings

[2D](#)  DWG

[3D](#)  ZIP

[Bim](#)  ULD

Main specifications

EAN	8059607081273
Mounting	Suspension
Environments	Indoor dry location
Light source type	LED
Light sources included	Yes
LED type	LED Module
Power (W)	145
Lumen Output (lm)	6682

Physical

Colour	Glass
Length (mm)	2072
Cord colour	Clear
Cord length (mm)	2700
Canopy colour	White
Canopy length/diameter (mm)	900
Canopy width (mm)	61
Canopy height (mm)	78
Net weight (kg)	34.3
Package volume (m3)	0.22
IP internal	20

Ecodesign and Energy Labelling

This product contains a light source of energy efficiency class F



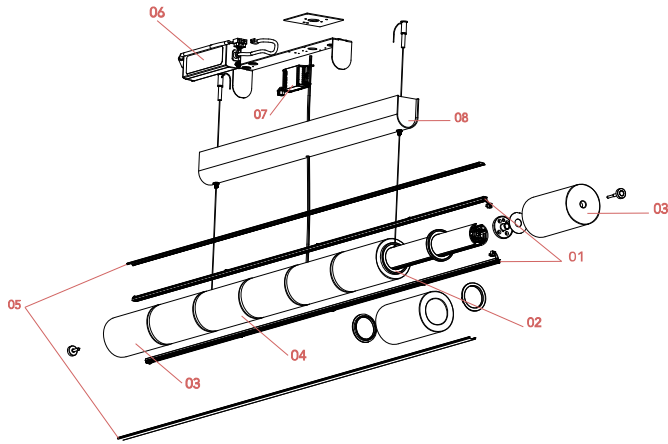
Photometric

Lighting type	Direct, Indirect
Light distribution	Symmetric
CCT (K)	2700
CRI>	95
Extreme cut off	No

Electrical

Insulation class	I
Frequency (Hz)	50/60
Main voltage (Vac)	100-240
LED current (mA)	600
Power supply	Integrated
Dimmable	Yes
Power supply type	Dimmer on board
Dimming interface	Dimmer Integrated

Spare Parts



00.	Luce Orizzontale Suspension 2 Accessories kit	RF34045
01.	Luce Orizzontale Suspension 2 Led board	RF3747300
02.	Luce Orizzontale Ring and 4 mt wiring	RF3746200
03.	Luce Orizzontale Closed glass difusser	RF3746300
04.	Luce Orizzontale Open glass difusser	RF3746400
05.	Luce Orizzontale Suspension 2 Linear diffuser	RF3747200
06.	Luce Orizzontale Driver assembly	RF3750400
07.	Luce Orizzontale Ceiling rose dimmer	RF36893
08.	Luce Orizzontale Suspension ½ Ceiling rose cover	RF3746600



RF34045
Luce Orizzontale Suspension 2
Accessories kit



RF3747300
Luce Orizzontale Suspension 2
Led board



RF3746200
Luce Orizzontale Ring and 4 mt
wiring



RF3746300
Luce Orizzontale Closed glass
diffuser



RF3746400
Luce Orizzontale Open glass
diffuser



RF3747200
Luce Orizzontale Suspension 2
Linear diffuser



RF3750400
Luce Orizzontale Driver assembly



RF36893
Luce Orizzontale Ceiling rose
dimmer



RF3746600

Luce Orizzontale Suspension ½

Ceiling rose cover