

FLOS

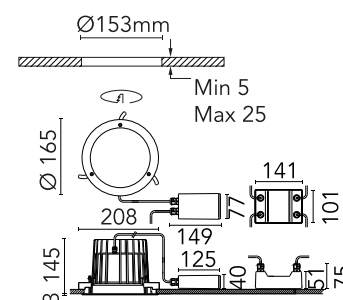
FA53603701 White

Leila 3 White Painted Frame

Designed by FLOS Outdoor



LED source included. Integrated power supply 220-240V ON/OFF and dimmable 1-10V or DALI; remote kit with a 400mm cable section with watertight threaded M12 connector on the luminaire and a 250mm cable section for connection on the mains. This needs to be housed in the junction box for masonry ceilings (it needs to be ordered separately) or set next to the luminaire in case of plasterboard false ceilings. Dimmable version available upon request.



Are you a professional and your project needs consulting and support?

[BOOK AN APPOINTMENT](#)

Main specifications

EAN	8054793676166
Mounting	Ceiling recessed
Environments	Outdoor wet location
LED type	LED array
Power (W)	26
System power (W)	28
Source flux (lm)	4459
Lumen Output (lm)	2700

Physical

Colour	White
Orientation	Fixed
Net weight (kg)	1.18
Package height (mm)	200
Package width (mm)	185
Package length (mm)	245
Package volume (m3)	0.01
IP internal	66
IP external	66

Download

[Mounting instructions](#)  ZIP

Photometric Files

[LDT / IES](#)  ZIP

Technical Drawings

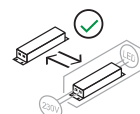
[2D](#)  ZIP

[3D](#)  ZIP



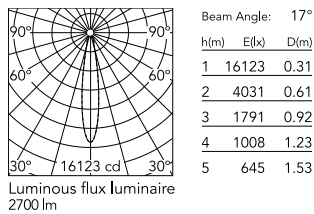
Ecodesign and Energy Labelling

This product contains a light source of energy efficiency class D



Replaceable control gear by an end-user

Schematic light drawing



Photometric

Light distribution	Symmetric
CCT (K)	4000
CRI>	80
Beam angle C0-180 (°)	17
Beam angle C90-270 (°)	17
Extreme cut off	No

Electrical

Insulation class	II
Frequency (Hz)	50/60
Main voltage (Vac)	220-240
Power supply	Remote included
Power supply type	Non Dimmable
Emergency	No

Notes

Please check with your referent person in our Front Office if a code modification is needed to meet the required certification compliance

Accessories & Power Supply



REQUIRED
Accessory

FA198

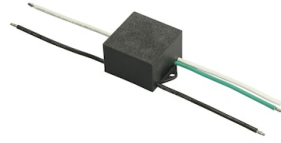
Box for Ceiling Recessed
Installation Leila 3



OPTIONAL
Accessory

F990C010000

3/4 way terminal block 4 poles
IP68 H2O stop. (ø5,5÷12mm
cable)



OPTIONAL
Accessory

F990E00A000

S.P.D. (SURGE PROTECTION
DEVICE)



OPTIONAL
Accessory

F990C00A000

2 way terminal block 4 poles IP68
H2O stop. (ø5,5÷12mm cable)