

FLOS

FA53601456-300 Matte Stainless Steel

Leila 2 Stainless Steel Frame Dimmable Dali

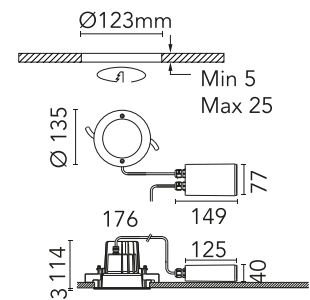
Designed by FLOS Outdoor



LED source included. Integrated power supply 220-240V ON/OFF and dimmable 1-10V or DALI: remote kit with a 400mm cable section with watertight threaded M12 connector on the luminaire and a 250mm cable section for connection on the mains. This needs to be housed in the junction box for masonry ceilings (it needs to be ordered separately) or set next to the luminaire in case of plasterboard false ceilings. Dimmable version available upon request.

Are you a professional and your project needs consulting and support?

[BOOK AN APPOINTMENT](#)



Main specifications

| | |
|-------------------|----------------------|
| EAN | 8054793674544 |
| Mounting | Ceiling recessed |
| Environments | Outdoor wet location |
| LED type | LED array |
| Power (W) | 12 |
| System power (W) | 14 |
| Source flux (lm) | 2149 |
| Lumen Output (lm) | 1567 |

Physical

| | |
|----------------------------------|-----------------------|
| Colour | Matte Stainless Steel |
| Orientation | Fixed |
| Net weight (kg) | 0.82 |
| Package height (mm) | 145 |
| Package width (mm) | 195 |
| Package length (mm) | 195 |
| Package volume (m ³) | 0.01 |
| IP internal | 66 |
| IP external | 66 |

Download

[Mounting instructions](#)  ZIP

Photometric Files

[LDT / IES](#)  ZIP

Technical Drawings

[2D](#)  ZIP

[3D](#)  ZIP



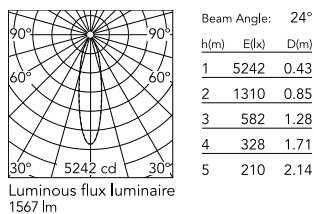
Ecodesign and Energy Labelling

This product contains a light source of energy efficiency class D



Replaceable control gear by an end-user

Schematic light drawing



Photometric

| | |
|------------------------|-----------|
| Light distribution | Symmetric |
| CCT (K) | 3000 |
| CRI> | 80 |
| Beam angle C0-180 (°) | 24 |
| Beam angle C90-270 (°) | 24 |
| Extreme cut off | No |

Electrical

| | |
|--------------------|-----------------|
| Insulation class | II |
| Frequency (Hz) | 50/60 |
| Main voltage (Vac) | 220-240 |
| Power supply | Remote included |
| Power supply type | Dimmable DALI 1 |
| Emergency | No |

Notes

Please check with your referent person in our Front Office if a code modification is needed to meet the required certification compliance

Accessories & Power Supply



REQUIRED
Accessory

FA197

Box for Ceiling Recessed
Installation Leila 2



OPTIONAL
Accessory

F990C00A000

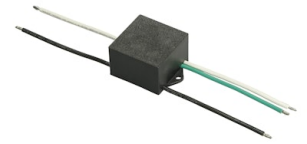
2 way terminal block 4 poles IP68
H2O stop. (ø5,5÷12mm cable)



OPTIONAL
Accessory

F990C010000

3/4 way terminal block 4 poles
IP68 H2O stop. (ø5,5÷12mm
cable)



OPTIONAL
Accessory

F990E00A000

S.P.D. (SURGE PROTECTION
DEVICE)