

# FLOS

FA53601356-300 Matte Stainless Steel

## Leila 2 Stainless Steel Frame Dimmable Dali

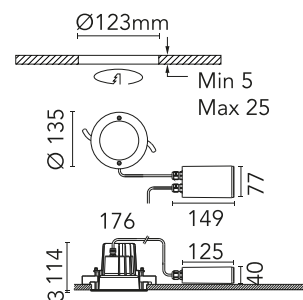
Designed by FLOS Outdoor



LED source included. Integrated power supply 220-240V ON/OFF and dimmable 1-10V or DALI: remote kit with a 400mm cable section with watertight threaded M12 connector on the luminaire and a 250mm cable section for connection on the mains. This needs to be housed in the junction box for masonry ceilings (it needs to be ordered separately) or set next to the luminaire in case of plasterboard false ceilings. Dimmable version available upon request.

Are you a professional and your project needs consulting and support?

[BOOK AN APPOINTMENT](#)



### Main specifications

EAN	8054793674483
Mounting	Ceiling recessed
Environments	Outdoor wet location
LED type	LED array
Power (W)	12
System power (W)	14
Source flux (lm)	2240
Lumen Output (lm)	1653

### Physical

Colour	Matte Stainless Steel
Orientation	Fixed
Net weight (kg)	0.82
Package height (mm)	145
Package width (mm)	195
Package length (mm)	195
Package volume (m3)	0.01
IP internal	66
IP external	66

### Download

[Mounting instructions](#)  ZIP

### Photometric Files

[LDT / IES](#)  ZIP

### Technical Drawings

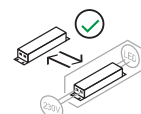
[2D](#)  ZIP

[3D](#)  ZIP



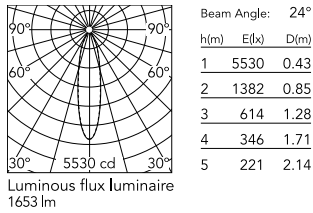
### Ecodesign and Energy Labelling

This product contains a light source of energy efficiency class D



Replaceable control gear by an end-user

## Schematic light drawing



## Photometric

Lighting type	Direct
Light distribution	Symmetric
CCT (K)	4000
CRI>	80
Beam angle C0-180 (°)	24
Beam angle C90-270 (°)	24
Extreme cut off	No

## Electrical

Insulation class	II
Frequency (Hz)	50/60
Main voltage (Vac)	220-240
Power supply	Remote included
Power supply type	Dimmable DALI 1
Emergency	No

## Notes

Please check with your referent person in our Front Office if a code modification is needed to meet the required certification compliance

## Accessories & Power Supply



REQUIRED  
Accessory

FA197

Box for Ceiling Recessed  
Installation Leila 2



OPTIONAL  
Accessory

F990C00A000

2 way terminal block 4 poles IP68  
H2O stop. (ø5,5÷12mm cable)



OPTIONAL  
Accessory

F990C010000

3/4 way terminal block 4 poles  
IP68 H2O stop. (ø5,5÷12mm  
cable)



OPTIONAL  
Accessory

F990E00A000

S.P.D. (SURGE PROTECTION  
DEVICE)