

FLOS

 FU317935 Red Burgundy

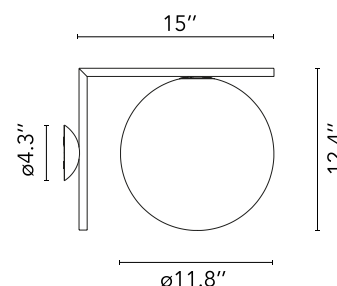
IC Lights C/W2

Designed by Michael Anastassiades, 2014



Halogen - 150W

Radiant light, delicate balance: Like the other pieces in his IC Light Series, the IC C/W ceiling and wall lamp showcases designer Michael Anastassiades' love of industrial simplicity as well as his profound technical skill. The sleek, modern ceiling/wall lamp has a blown glass opal glass design that provides diffused lighting—as well as a sense of serene calm—to any hallway, living room, or bedroom. The frame comes in brass or chrome finish steel. IC Lights C/W can be mounted on any wall or mounted on the ceiling. IC Lights C/W comes in two models: IC Lights C/W 1: height 8.5" IC Lights C/W 2: height 12.4" See the entire IC Lights series here. Inspiration behind the design: Poise is powerful: That's the message Michael Anastassiades offers with his IC Light Series. From the skillful balance of the sphere and baton that invokes thoughts of a dexterous juggler's act to the lamp's name-IC, a reference to the identity code used to evaluate immigrants entering the UK—the designer makes a commanding statement.



Download

Mounting instructions



Are you a professional and your project needs consulting and support?

[BOOK AN APPOINTMENT](#)

Main specifications

Mounting	Ceiling, Wall
Environments	Indoor dry location
Light Source Type	Bulb
Light sources included	No
Lamp category	Halogen
Lamp type	T10
Lamp holders	E26
Number of lamps	1
Power (W)	150

Physical

Color	Red Burgundy
Length (in)	11.06
Net weight (lb)	5.95
Gross weight (lb)	10.69
Package volume (in)	4952.71
IP internal	20



Photometric

Lighting type	Total
Light distribution	Asymmetric
Extreme cut off	No

Electrical

Insulation class	I
Frequency (Hz)	60
Main voltage (Vac)	120
Dimmable	Yes
Dimming interface	Remote Dimmable (Dimmer Not Included)
Batteries inside	No

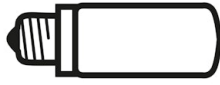
Bulbs



NOT INCLUDED

RF34655

15W E26 T38 Led Lamp



NOT INCLUDED

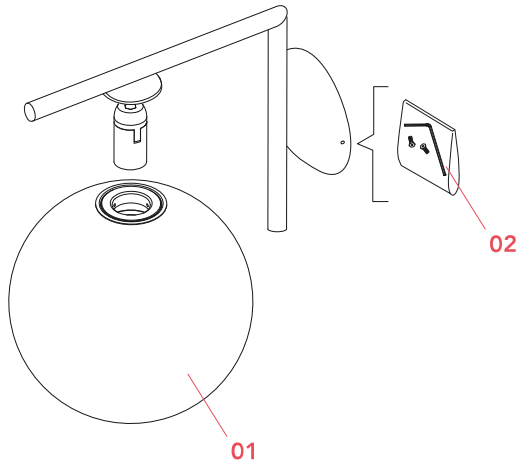
RF35739

14W E26 120V T38 3000K Led
Lamp

Spare Parts

02. Kit with screws and allen key

RF3160100





RF3160100

Kit with screws and allen key