

FLOS

FA53906306-300 Grey

Dooku 400 Single Top Pole Ø102 mm Foot&Cycle Optic Dimmable Dali

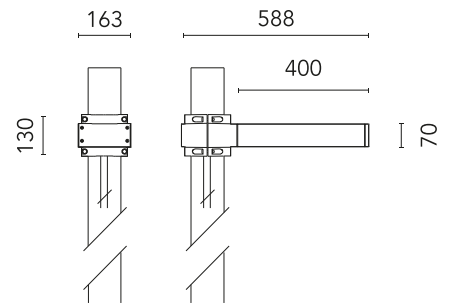
Designed by FLOS Outdoor, 2014



LED source included. Integrated power supply 220-240V ON/OFF and dimmable 1-10V or DALI. Fixing bracket included. Equipped with a 400mm protruding neoprene cable section and IP68 connectors. Smart-City version available upon request. Single socket for 102mm diameter post. The post must be ordered separately. Smart-City version available upon request.

Are you a professional and your project needs consulting and support?

[BOOK AN APPOINTMENT](#)




Main specifications

EAN	8054793682129
Mounting	Pole Top
Light source type	LED
Light sources included	Yes
LED type	Power LED
Number of lamps	1
Power (W)	34
System power (W)	39
Source flux (lm)	4416
Lumen Output (lm)	3354

Physical

Colour	Grey
Orientation	Fixed
Net weight (kg)	5.36
Package height (mm)	605
Package width (mm)	175
Package length (mm)	150
Package volume (m3)	0.02
IP internal	65

Download

[Mounting instructions](#)  ZIP

Photometric Files

[LDT / IES](#)  ZIP

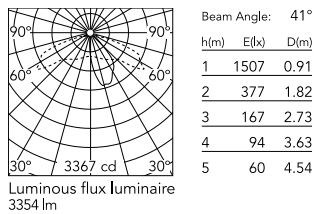
Technical Drawings

[2D](#)  ZIP

[3D](#)  ZIP



Schematic light drawing



Photometric

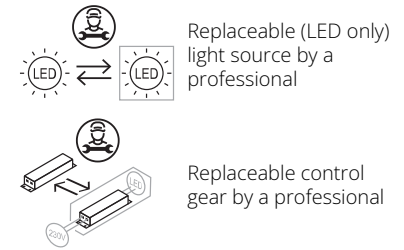
Lighting type	Direct
Light distribution	Asymmetric
CCT (K)	3000
CRI>	80
Extreme cut off	No

Electrical

Insulation class	I
Frequency (Hz)	50/60
Main voltage (Vac)	220-240
Power supply	Integrated
Dimmable	Yes
Power supply type	Dimmable DALI 1
Dimming interface	Dimmer Integrated
Emergency	No

Ecodesign and Energy Labelling

This product contains a light source of energy efficiency class E



Notes

Please check with your referent person in our Front Office if a code modification is needed to meet the required certification compliance

Accessories & Power Supply



REQUIRED Pole

FA414006

Pole Ø 102 mm h 4000 mm With
Base



REQUIRED Pole

FA414506

Pole Ø 102 mm h 4000 mm (+500
mm In-ground)



REQUIRED Pole

FA415006

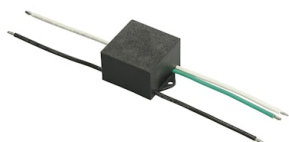
Pole Ø 102 mm h 5000 mm With
Base



REQUIRED Pole

FA415506

Pole Ø 102 mm h 5000 mm (+500
mm In-ground)



OPTIONAL Accessory

FA990E00A000

S.P.D. (SURGE PROTECTION
DEVICE)



OPTIONAL Accessory

FA116

Base Plate and Fixing Bolts for
Pole Ø 102 mm h 4000/5000 mm
with Base