

FLOS

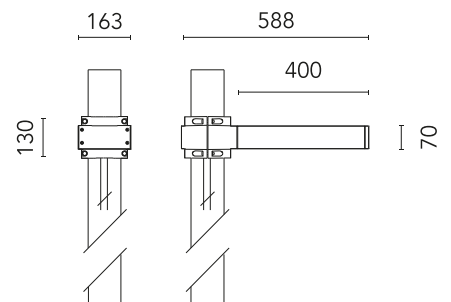
FA53909433-310 Anthracite

Dooku 400 Single Top Pole Ø102 mm Foot&Cycle Optic Dimmable 1-10V

Designed by FLOS Outdoor, 2014



LED source included. Integrated power supply 220-240V ON/OFF and dimmable 1-10V or DALI. Fixing bracket included. Equipped with a 400mm protruding neoprene cable section and IP68 connectors. Smart-City version available upon request. Single socket for 102mm diameter post. The post must be ordered separately. Smart-City version available upon request.



Are you a professional and your project needs consulting and support?

[BOOK AN APPOINTMENT](#)

Main specifications

| | |
|------------------------|---------------|
| EAN | 8054793682808 |
| Mounting | Pole Top |
| Light source type | LED |
| Light sources included | Yes |
| LED type | Power LED |
| Number of lamps | 1 |
| Power (W) | 34 |
| System power (W) | 39 |
| Source flux (lm) | 4122 |
| Lumen Output (lm) | 3130 |

Physical

| | |
|---------------------|------------|
| Colour | Anthracite |
| Orientation | Fixed |
| Net weight (kg) | 5.36 |
| Package height (mm) | 605 |
| Package width (mm) | 175 |
| Package length (mm) | 150 |
| Package volume (m3) | 0.02 |
| IP internal | 65 |

Download

[Mounting instructions](#)  ZIP

Photometric Files

[LDT / IES](#)  ZIP

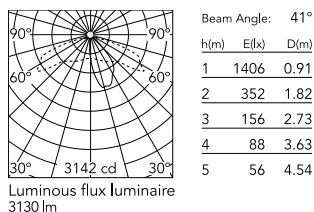
Technical Drawings

[2D](#)  ZIP

[3D](#)  ZIP



Schematic light drawing



Photometric

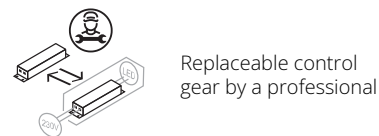
| | |
|--------------------|------------|
| Lighting type | Direct |
| Light distribution | Asymmetric |
| CCT (K) | 2700 |
| CRI> | 80 |
| Extreme cut off | No |

Electrical

| | |
|--------------------|-------------------|
| Insulation class | I |
| Frequency (Hz) | 50/60 |
| Main voltage (Vac) | 220-240 |
| Power supply | Integrated |
| Dimmable | Yes |
| Dimming interface | Dimmer Integrated |
| Emergency | No |

Ecodesign and Energy Labelling

This product contains a light source of energy efficiency class E



Notes

Please check with your referent person in our Front Office if a code modification is needed to meet the required certification compliance

Accessories & Power Supply



REQUIRED
Pole

FA414033

Pole Ø 102 mm h 4000 mm With
Base



REQUIRED
Pole

FA414533

Pole Ø 102 mm h 4000 mm (+500
mm In-ground)



REQUIRED
Pole

FA415033

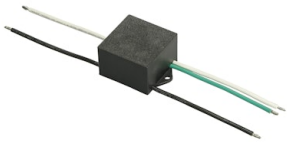
Pole Ø 102 mm h 5000 mm With
Base



REQUIRED
Pole

FA415533

Pole Ø 102 mm h 5000 mm (+500
mm In-ground)



OPTIONAL
Accessory

F990E00A000

S.P.D. (SURGE PROTECTION
DEVICE)



OPTIONAL
Accessory

FA116

Base Plate and Fixing Bolts for
Pole Ø 102 mm h 4000/5000 mm
with Base