

# FLOS

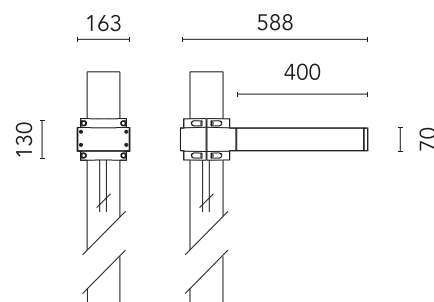
FA53913606 Grey

## Dooku 400 Single Top Pole Ø102 mm Asymmetric Optic

Designed by FLOS Outdoor, 2014



LED source included. Integrated power supply 220-240V ON/OFF and dimmable 1-10V or DALI. Fixing bracket included. Equipped with a 400mm protruding neoprene cable section and IP68 connectors. Smart-City version available upon request. Single socket for 102mm diameter post. The post must be ordered separately. Smart-City version available upon request.



Are you a professional and your project needs consulting and support?

[BOOK AN APPOINTMENT](#)

### Main specifications

|                        |               |
|------------------------|---------------|
| EAN                    | 8054793683539 |
| Mounting               | Pole Top      |
| Light source type      | LED           |
| Light sources included | Yes           |
| LED type               | Power LED     |
| Number of lamps        | 1             |
| Power (W)              | 34            |
| System power (W)       | 39            |
| Source flux (lm)       | 4122          |
| Lumen Output (lm)      | 3173          |

### Physical

|                                  |       |
|----------------------------------|-------|
| Colour                           | Grey  |
| Orientation                      | Fixed |
| Net weight (kg)                  | 5.3   |
| Package height (mm)              | 605   |
| Package width (mm)               | 175   |
| Package length (mm)              | 150   |
| Package volume (m <sup>3</sup> ) | 0.02  |
| IP internal                      | 65    |

### Download

[Mounting instructions](#)  ZIP

### Photometric Files

[LDT / IES](#)  ZIP

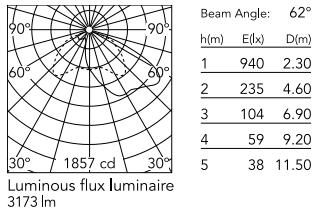
### Technical Drawings

[2D](#)  ZIP

[3D](#)  ZIP



## Schematic light drawing



## Photometric

|                    |            |
|--------------------|------------|
| Lighting type      | Direct     |
| Light distribution | Asymmetric |
| CCT (K)            | 2700       |
| CRI>               | 80         |
| Extreme cut off    | No         |

## Electrical

|                    |              |
|--------------------|--------------|
| Insulation class   | I            |
| Frequency (Hz)     | 50/60        |
| Main voltage (Vac) | 220-240      |
| Power supply       | Integrated   |
| Dimmable           | No           |
| Power supply type  | Non Dimmable |
| Dimming interface  | Not Dimmable |
| Emergency          | No           |

## Ecodesign and Energy Labelling

This product contains a light source of energy efficiency class E



## Notes

Please check with your referent person in our Front Office if a code modification is needed to meet the required certification compliance

## Accessories & Power Supply



REQUIRED  
Pole

FA414006

Pole Ø 102 mm h 4000 mm With  
Base



REQUIRED  
Pole

FA414506

Pole Ø 102 mm h 4000 mm (+500  
mm In-ground)



REQUIRED  
Pole

FA415006

Pole Ø 102 mm h 5000 mm With  
Base



REQUIRED  
Pole

FA415506

Pole Ø 102 mm h 5000 mm (+500  
mm In-ground)



OPTIONAL  
Accessory

F990E00A000

S.P.D. (SURGE PROTECTION  
DEVICE)



OPTIONAL  
Accessory

FA116

Base Plate and Fixing Bolts for  
Pole Ø 102 mm h 4000/5000 mm  
with Base