

FLOS

F1811033 Argent

Coordinates Wall 2

Designed by Michael Anastassiades, 2020

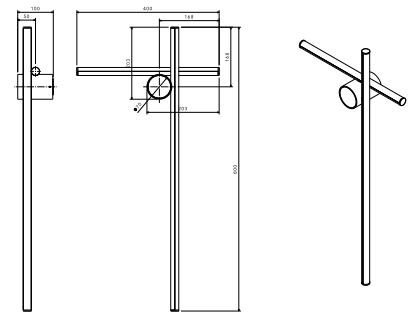
28W - 1402lm - 2700K - CRI> 90

Wall-mounted diffuse lighting device composed of a horizontal bar (model Wall 1) or vertical and horizontal bar (model W2). Each bar is composed of: extruded and processed aluminium body anodized in a champagne or argent colour; diffuser in platinum optical silicone; integrated LED strip (CRI 90). Each model comes with its own rose, whose integrated electronics use only the TRIAC dimmer system.



Are you a professional and your project needs consulting and support?

BOOK AN APPOINTMENT



Main specifications

EAN	8059607035313
Mounting	Wall
Environments	Indoor dry location
Light source type	LED
Light sources included	Yes
LED type	LED Module
Power (W)	28
System power (W)	28
Lumen Output (lm)	1402

Physical

Colour	Argent
Length (mm)	100
Net weight (kg)	1.1
Package height (mm)	145
Package width (mm)	495
Package length (mm)	930
Package volume (m3)	0.07
IP internal	20

Download

Mounting instructions [↓ PDF](#)

Dimmers or chargers compatible [↓ PDF](#)

Photometric Files

ULD [↓ ZIP](#)

LDT / IES [↓ LDT](#)

Technical Drawings

3D [↓ ZIP](#)

[Bim](#) [↓ ZIP](#)



Photometric

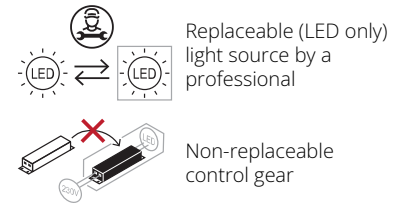
Lighting type	Total
Light distribution	Asymmetric
CCT (K)	2700
CRI>	90
Extreme cut off	No

Electrical

Insulation class	I
Frequency (Hz)	50/60
Main voltage (Vac)	220-240
Power supply	Integrated
Dimmable	Yes
Power supply type	Mains Cut Dimming
Dimming interface	Remote Dimmable (Dimmer Not Included)
Batteries inside	No

Ecodesign and Energy Labelling

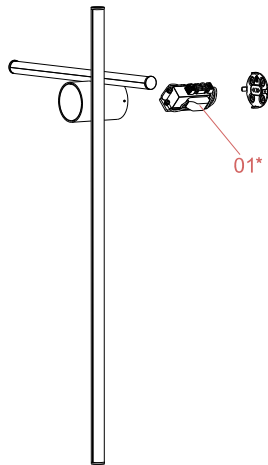
This product contains a light source of energy efficiency class F



Spare Parts

01. Coordinates W2 Power supply
assembly – New type

RF37006



***ATTENTION: This spare part is compatible only with the new product versions.**



RF37006

Coordinates W2 Power supply
assembly – New type