

# FLOS

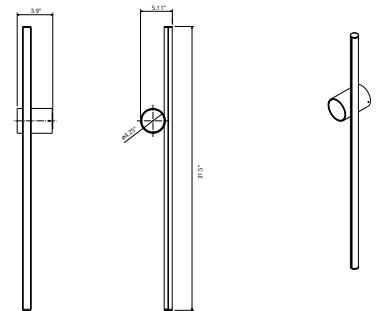
FU181044 Anodized Champagne

## Coordinates Wall 1

Designed by Michael Anastassiades, 2020

18W - 961lm - 2700K - CRI > 90

Coordinates is a lighting system consisting of horizontal and vertical strip lights that form illuminated grid-like structures of various complexities. This collection of standard chandeliers of pared-down configurations that can be used in any setting. Newly added to the Coordinates collection: Wall-mounted sconces providing diffused light by composed of a horizontal bar (Wall 1) or vertical and horizontal bar (Wall 2). Each bar is composed of: extruded and processed aluminium body anodized in a champagne color; diffuser in platinum optical silicone; integrated LED strip (CRI 90). Behind the design: This design evolved from a commission for the feature lighting of the main dining area of the historic Four Seasons restaurant in New York City. The restaurant relocated and opened in 2018 with the interiors designed by S&tilde;o Paolo-based architect Isay Weinfeld.



Are you a professional and your project needs consulting and support?

[BOOK AN APPOINTMENT](#)

### Main specifications

|                        |                     |
|------------------------|---------------------|
| EAN                    | 8059607038727       |
| Mounting               | Wall                |
| Environments           | Indoor dry location |
| Light Source Type      | LED                 |
| Light sources included | Yes                 |
| LED type               | LED Module          |
| Power (W)              | 18                  |
| System power (W)       | 18                  |
| System flux (lm)       | 961                 |

### Physical

|                     |                    |
|---------------------|--------------------|
| Color               | Anodized Champagne |
| Length (in)         | 3.94               |
| Net weight (lb)     | 2.54               |
| Gross weight (lb)   | 6.28               |
| Package height (in) | 11.42              |
| Package width (in)  | 5.71               |
| Package length (in) | 35.04              |
| Package volume (in) | 2283.52            |
| IP internal         | 20                 |

### Download

- [Mounting instructions](#) PDF
- [Dimmers or chargers compatible](#) PDF

### Photometric Files

- [ULD](#) ZIP

### Technical Drawings

- [3D](#) ZIP



## Photometric

|                    |            |
|--------------------|------------|
| Light distribution | Asymmetric |
| CCT (K)            | 2700       |
| CRI>               | 90         |
| Extreme cut off    | No         |

## Electrical

|                    |  |
|--------------------|--|
| Insulation class   | I  |
| Frequency (Hz)     | 50/60                                    |
| Main voltage (Vac) | 120                                      |
| Driver             | Integrated                               |
| Dimmable           | Yes                                      |
| Dimming type       | Mains Cut Dimming                        |
| Dimming interface  | Remote Dimmable<br>(Dimmer Not Included) |
| Batteries inside   | No                                       |

## Ecodesign and Energy Labelling

This product contains a light source of energy efficiency class F

