

FLOS

F1584006 Grey

Clessidra 40°+40°

Designed by Antonio Citterio, 2011

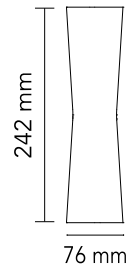


10W - 601lm - 3000K

Diffused direct/indirect-light wall lighting device. Body obtained by means of aluminium pressofusion and diffusers in PMMA. Aluminium wall attachment with cover in PA66. Available in white-painted or chrome-plated for indoor version and deep brown-painted or gray-painted for outdoor version. High-efficiency lenses specially designed for the application, non-replaceable. Wide range (100-240Volt) power pack integrated in the body. Level IP55

Are you a professional and your project needs consulting and support?

[BOOK AN APPOINTMENT](#)




Main specifications

EAN	8059607001530
Mounting	Wall
Environments	Indoor wet location
Light source type	LED
Light sources included	Yes
LED type	LED array
Power (W)	10
Lumen Output (lm)	601

Physical

Colour	Grey
Length (mm)	76
Net weight (kg)	1.2
IP internal	55

Download

[Mounting instructions](#)  PDF

[Spare Parts](#)  PDF

Photometric Files

[LDT / IES](#)  ZIP

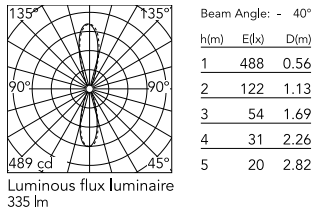
Technical Drawings

[2D](#)  ZIP

[3D](#)  ZIP



Schematic light drawing



Photometric

Lighting type	Direct, Indirect
Light distribution	Symmetric
CCT (K)	3000
Extreme cut off	No

Electrical

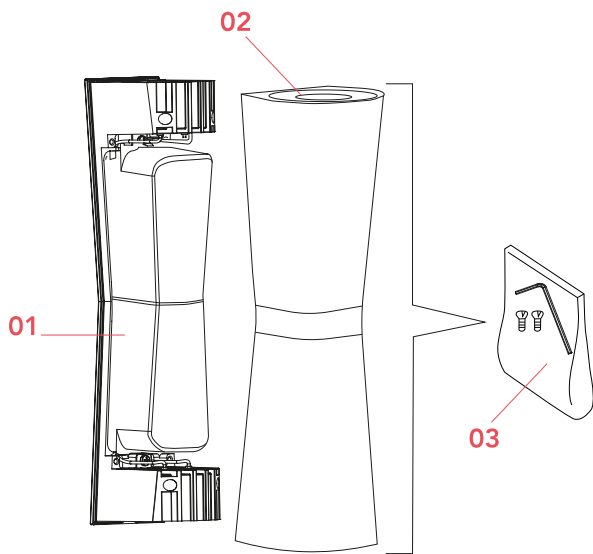
Insulation class	I
Frequency (Hz)	50/60
Main voltage (Vac)	100-240
Power supply	Integrated
Dimmable	No
Power supply type	Non Dimmable
Dimming interface	Not Dimmable
Batteries inside	No
Charging min time	NO

Ecodesign and Energy Labelling

This product contains a light source of energy efficiency class E



Spare Parts



- | | | |
|-----|--|-----------|
| 01. | Clessidra Wall attachment and internal lamp body 40°+40° | F1582030 |
| 02. | Grey external clessidra lamp body | F1580006 |
| 03. | Screws and tool kit for clessidra external lamp body | RF1580100 |

DOWNLOAD



F1582030
Clessidra Wall attachment and
internal lamp body 40°+40°



F1580006
Grey external clessidra lamp body



RF1580100
Screws and tool kit for clessidra
external lamp body