

FLOS

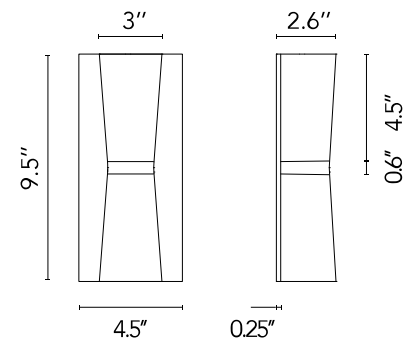
FU158309 White

Clessidra 20°+20°

Designed by Antonio Citterio, 2011



Inspired by the shape of the hourglass, the Clessidra lamp from Antonio Citterio emits diffused direct and indirect light. This stunning wall light has a body made of die-cast aluminum with a powder-coated finish and a diffuser in PMMA (Polymethyl methacrylate). There is an aluminum wall attachment. The cover is in PA66. The fixture has a moisture rating of IP55. A back-plate* with a brown finish is included to cover the junction box. Clessidra also has non-replaceable, specially designed high-efficiency lenses. Clessidra is an elegant option for illuminating hallways and outdoor spaces. It features an LED light source, and the fixture is non-dimmable. The Clessidra outdoor wall light is available in two beam spreads: • Outdoor: 20 + 20; Outdoor: 40 + 40. Choose from three finishes: white, grey or deep brown. This wall light is also available as an indoor fixture with different finishes. *Back plate not shown in the image.



Are you a professional and your project needs consulting and support?

[BOOK AN APPOINTMENT](#)


Main specifications

EAN	8059607010709
Mounting	Wall
Environments	Indoor wet location
Light Source Type	LED
Light sources included	Yes
LED type	LED array
Power (W)	10
System flux (lm)	637

Physical

Color	White
Length (in)	2.99
Net weight (lb)	2.45
Gross weight (lb)	3.2
Package volume (in)	302.68
IP internal	55

Download

[Mounting instructions](#)  PDF

Photometric Files

[LDT / IES](#)  ZIP

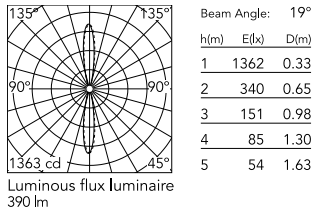
Technical Drawings

[2D](#)  ZIP

[3D](#)  ZIP



Schematic light drawing



Photometric

Lighting type	Direct, Indirect
Light distribution	Symmetric
CCT (K)	3000
Extreme cut off	No

Electrical

Insulation class	I
Frequency (Hz)	50/60
Main voltage (Vac)	100-240
Driver	Integrated
Dimmable	No
Dimming type	Non Dimmable
Dimming interface	Not Dimmable
Batteries inside	No

Notes

Compliance: ADA

Ecodesign and Energy Labelling

This product contains a light source of energy efficiency class E



Spare Parts



- | | | |
|-----|---|-----------|
| 01. | Clessidra 20 UI Wall Attachment
White Polish | FU158109 |
| 02. | White external clessidra lamp
body | F1580009 |
| 03. | Screws and tool kit for clessidra
external lamp body | RF1580100 |



FU158109
Clessidra 20 UI Wall Attachment
White Polish



F1580009
White external clessidra lamp
body



RF1580100
Screws and tool kit for clessidra
external lamp body