

# FLOS

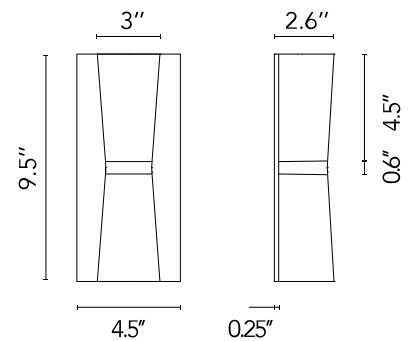
FU158306 Grey

## Clessidra 20°+20°

Designed by Antonio Citterio, 2011



Inspired by the shape of the hourglass, the Clessidra lamp from Antonio Citterio emits diffused direct and indirect light. This stunning wall light has a body made of die-cast aluminum with a powder-coated finish and a diffuser in PMMA (Polymethyl methacrylate). There is an aluminum wall attachment. The cover is in PA66. The fixture has a moisture rating of IP55. A back-plate\* with a brown finish is included to cover the junction box. Clessidra also has non-replaceable, specially designed high-efficiency lenses. Clessidra is an elegant option for illuminating hallways and outdoor spaces. It features an LED light source, and the fixture is non-dimmable. The Clessidra outdoor wall light is available in two beam spreads: • Outdoor: 20 + 20; Outdoor: 40 + 40. Choose from three finishes: white, grey or deep brown. This wall light is also available as an indoor fixture with different finishes. \*Back plate not shown in the image.



Are you a professional and your project needs consulting and support?

[BOOK AN APPOINTMENT](#)

### Main specifications

EAN	8059607010693
Mounting	Wall
Environments	Indoor wet location
Light Source Type	LED
Light sources included	Yes
LED type	LED array
Power (W)	10
System flux (lm)	637

### Physical

Color	Grey
Length (in)	2.99
Net weight (lb)	2.54
Gross weight (lb)	3.26
Package volume (in)	302.68
IP internal	55

### Download

[Mounting instructions](#)  PDF

### Photometric Files

[LDT / IES](#)  ZIP

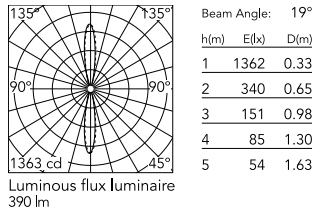
### Technical Drawings

[2D](#)  ZIP

[3D](#)  ZIP



## Schematic light drawing



## Photometric

Lighting type	Direct, Indirect
Light distribution	Symmetric
CCT (K)	3000
Extreme cut off	No

## Electrical

Insulation class	I
Frequency (Hz)	50/60
Main voltage (Vac)	100-240
Driver	Integrated
Dimmable	No
Dimming type	Non Dimmable
Dimming interface	Not Dimmable
Batteries inside	No

## Ecodesign and Energy Labelling

This product contains a light source of energy efficiency class E



## Notes

Compliance: ADA

## Spare Parts



- |     |   |           |
|-----|---|-----------|
| 01. | Clessidra 20 UL Wall Attachment                         | FU158106  |
| 02. | Grey external clessidra lamp<br>body                    | F1580006  |
| 03. | Screws and tool kit for clessidra<br>external lamp body | RF1580100 |



FU158106

Clessidra 20 UL Wall Attachment



F1580006

Grey external clessidra lamp body



RF1580100

Screws and tool kit for clessidra external lamp body