

# FLOS

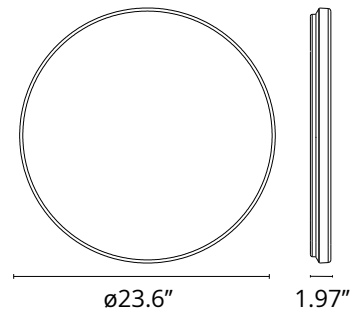
FU157009 White

## Clara

Designed by Piero Lissoni, 2015

55W - 3141lm - 2700K

So simple, and yet, so brilliant: The Clara lamp from Piero Lissoni is an excellent example of the artist's minimalist style and smart use of materials. The front diffuser is made of high efficiency, injection-molded opal PC (polycarbonate). The ceiling/wall fitting is injection-molded PC. The dimmable LED light source is line voltage (from 100 to 130 VAC) and can be hooked directly to a standard US j-box. For decorative purposes, an optional accessory made of PC and ABS/PC is available in various choices of finish: transparent, fumée (smoked), chrome, and copper. Inspiration behind the design: When designing the simply brilliant Clara, Piero Lissoni drew his inspiration from one of his favorite films, Young Frankenstein, quoting "Until, from the midst of this darkness, a sudden light broke in upon me-a light so brilliant and wondrous, and yet so simple! Change the poles from plus to minus and from minus to plus&hellip;"



Are you a professional and your project needs consulting and support?

[BOOK AN APPOINTMENT](#)

### Main specifications

EAN	8059607027981
Mounting	Ceiling, Wall
Environments	Indoor dry location
Light Source Type	LED
Light sources included	Yes
LED type	LED Module
Power (W)	55
System flux (lm)	3141

### Physical

Color	White
Length (in)	23.62
Net weight (lb)	8.6
Gross weight (lb)	12.35
Package height (in)	26.38
Package width (in)	4.33
Package length (in)	26.77
Package volume (in)	3058.28
IP internal	40

### Download

- [Mounting instructions](#) PDF
- [Dimmers or chargers compatible](#) PDF

### Ecodesign and Energy Labelling

This product contains a light source of energy efficiency class F





## Photometric

Lighting type	Total
Light distribution	Roto symmetric
CCT (K)	2700
Extreme cut off	No

## Electrical

Insulation class	II
Frequency (Hz)	60
Main voltage (Vac)	120
Driver	Integrated
Dimmable	Yes
Dimming type	Mains Cut Dimming
Dimming interface	Remote Dimmable (Dimmer Not Included)
Batteries inside	No

## Accessories & Power Supply



OPTIONAL

F1571000

Clara Frieze



OPTIONAL

F1571015

Clara Frieze



OPTIONAL

F1571030A

Clara Frieze

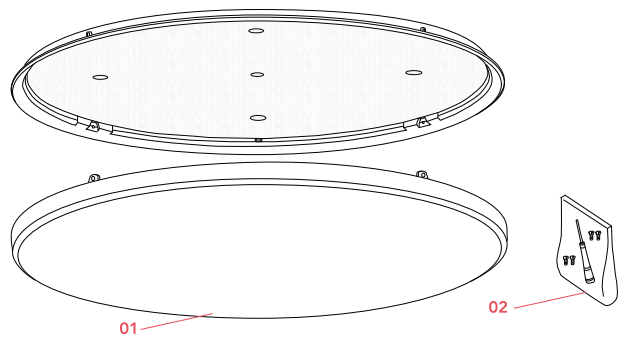


OPTIONAL

F1571057

Clara Frieze

## Spare Parts



- |     |   |           |
|-----|---|-----------|
| 01. | Clara Kit diffuser                              | RF1570200 |
| 02. | Clara Kit of n.4 screws & hexagonal screwdriver | RF1570100 |



RF1570200

Clara Kit diffuser



RF1570100

Clara Kit of n.4 screws &  
hexagonal screwdriver