

FLOS

F1570009 White

Clara

Designed by Piero Lissoni, 2015

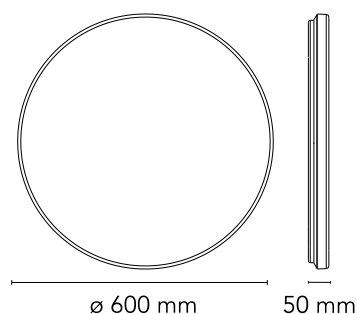
57W - 3141lm - 2700K

eCeiling/wall lighting fixture, providing diffused light. The front diffuser is made of high efficiency, injection moulded opal Polycarbonate. Ceiling/wall fitting is in injection moulded polycarbonate. Dimmable Led light source powered without the use of any power supply/transformer, but directly by the mains voltage (220-230 V AC). For decorative purposes an optional accessory made of PC and ABS+PC is made available in 4 different finishes: chrome, copper, black fumée and transparent.



Are you a professional and your project needs consulting and support?

[BOOK AN APPOINTMENT](#)



Main specifications

| | |
|------------------------|---------------------|
| EAN | 8059607015322 |
| Mounting | Ceiling, Wall |
| Environments | Indoor dry location |
| Light source type | LED |
| Light sources included | Yes |
| LED type | LED Module |
| Power (W) | 57 |
| Lumen Output (lm) | 3141 |

Physical

| | |
|---------------------|-------|
| Colour | White |
| Length (mm) | 600 |
| Net weight (kg) | 3.9 |
| Package height (mm) | 110 |
| Package width (mm) | 670 |
| Package length (mm) | 680 |
| Package volume (m3) | 0.05 |
| IP internal | 40 |

Download

[Mounting instructions](#) PDF

[Dimmers or chargers compatible](#) PDF

Photometric Files

[LDT / IES](#) LDT

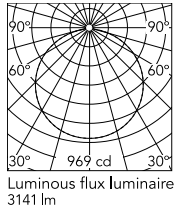
Technical Drawings

[2D](#) ZIP

[3D](#) ZIP



Schematic light drawing



Beam Angle: 117°

| h(m) | E(lx) | D(m) |
|------|-------|-------|
| 1 | 969 | 3.28 |
| 2 | 242 | 6.56 |
| 3 | 108 | 9.83 |
| 4 | 61 | 13.11 |
| 5 | 39 | 16.39 |

Ecodesign and Energy Labelling

This product contains a light source of energy efficiency class F



Replaceable (LED only) light source by a professional

Photometric

| | |
|--------------------|----------------|
| Lighting type | Total |
| Light distribution | Roto symmetric |
| CCT (K) | 2700 |
| Extreme cut off | No |

Electrical

| | |
|--------------------|---------------------------------------|
| Insulation class | II |
| Frequency (Hz) | 50/60 |
| Main voltage (Vac) | 220-240 |
| Power supply | Integrated |
| Dimmable | Yes |
| Power supply type | Mains Cut Dimming |
| Dimming interface | Remote Dimmable (Dimmer Not Included) |
| Batteries inside | No |

Accessories & Power Supply



OPTIONAL

F1571000

Clara Frieze



OPTIONAL

F1571015

Clara Frieze



OPTIONAL

F1571030A

Clara Frieze

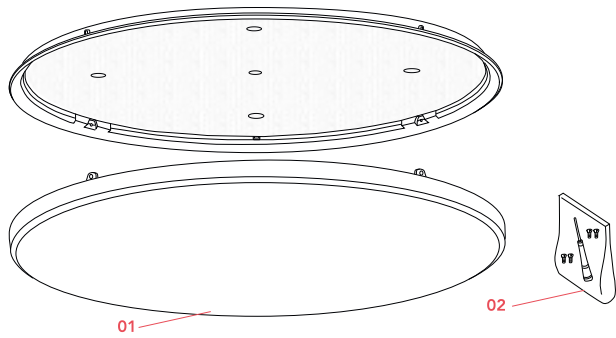


OPTIONAL

F1571057

Clara Frieze

Spare Parts



- | | | |
|-----|---|-----------|
| 01. | Clara Kit diffuser | RF1570200 |
| 02. | Clara Kit of n.4 screws & hexagonal screwdriver | RF1570100 |



RF1570200
Clara Kit diffuser



RF1570100
Clara Kit of n.4 screws &
hexagonal screwdriver