

FLOS

F011D40A059 Brass Finish

Captain Flint Outdoor B1

Designed by Michael Anastassiades, 2015

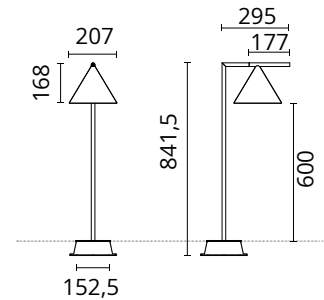
10W - 699lm - 4000K - CRI> 80 - Beam° 112



Integrated ON/OFF or dimmable 220-240V power supply. For mains connection, the light source is equipped with watertight cable. Box for ground or cobblestone installations requiring concrete plinth is available upon request. 2200K available on request.

Are you a professional and your project needs consulting and support?

[BOOK AN APPOINTMENT](#)



Main specifications

| | |
|------------------------|---------------|
| EAN | 8054793215495 |
| Mounting | Ground |
| Light source type | LED |
| Light sources included | Yes |
| LED type | LED array |
| Number of lamps | 1 |
| Power (W) | 10 |
| System power (W) | 9.5 |
| Source flux (lm) | 1099 |
| Lumen Output (lm) | 699 |

Physical

| | |
|-------------------------|--------------|
| Colour | Brass Finish |
| Orientation | Adjustable |
| Transversal tilting (°) | 270 |
| Net weight (kg) | 2.23 |
| Package height (mm) | 1070 |
| Package width (mm) | 460 |
| Package length (mm) | 320 |
| Package volume (m3) | 0.16 |
| IP internal | 65 |
| Drive Over | No |

Download

[Mounting instructions](#)  ZIP

Photometric Files

[LDT / IES](#)  ZIP

Technical Drawings

[2D](#)  ZIP

[3D](#)  ZIP



Ecodesign and Energy Labelling

 Replaceable (LED only) light source by a professional

 Replaceable control gear by a professional

Schematic light drawing



Beam Angle: 114°

| h(m) | E(lx) | D(m) |
|------|-------|-------|
| 1 | 242 | 3.05 |
| 2 | 60 | 6.11 |
| 3 | 27 | 9.16 |
| 4 | 15 | 12.22 |
| 5 | 10 | 15.27 |

Photometric

| | |
|------------------------|-----------|
| Lighting type | Direct |
| Light distribution | Symmetric |
| CCT (K) | 4000 |
| CRI> | 80 |
| Beam angle C0-180 (°) | 112 |
| Beam angle C90-270 (°) | 112 |

Electrical

| | |
|--------------------|--------------|
| Insulation class | I |
| Frequency (Hz) | 50/60 |
| Main voltage (Vac) | 220-240 |
| Power supply | Integrated |
| Dimmable | No |
| Power supply type | Non Dimmable |
| Dimming interface | Not Dimmable |

Accessories & Power Supply



REQUIRED
Accessory

F018Z000000

Box for ground installation



OPTIONAL
Accessory

F990E00A000

S.P.D. (SURGE PROTECTION
DEVICE)