


# FLOS

 FU108019 Yellow

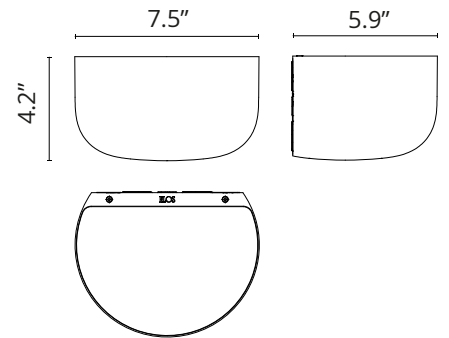
## Bellhop Wall Up

Designed by Edward Barber and Jay Osgerby, 2022



17W - 1332lm - 2700K - CRI> 90

Designed by Edward Barber and Jay Osgerby Indirect light wall lamp. Body in colored polycarbonate. Diffuser made of semi-transparent injection-moulded polycarbonate. The surface of the diffuser has been designed with a special texture to enhance the uniformity of the light distribution. High efficiency LED source with a lifetime of more than 50.000 hours. The LED source can be easily replaced on site by a professional installer when it comes to the end of its lifecycle. Bellhop Wall Up is a future-proof lamp as no glue is used to assemble its different parts. The product can therefore be separated, replaced individually, and recycled separately.



Are you a professional and your project needs consulting and support?

[BOOK AN APPOINTMENT](#)

### Main specifications

EAN	8059607047880
Mounting	Wall
Environments	Indoor damp location
Light Source Type	LED
Light sources included	Yes
LED type	LED Module
Power (W)	17
System power (W)	17
System flux (lm)	1332

### Physical

Color	Yellow
Length (in)	5.91
Net weight (lb)	2.47
Gross weight (lb)	3.75
Package height (in)	8.86
Package width (in)	6.06
Package length (in)	10.71
Package volume (in)	575.15
IP internal	44

### Download

[Mounting instructions](#)  PDF

[Dimmers or chargers compatible](#)  PDF

### Photometric Files

[LDT / IES](#)  ZIP

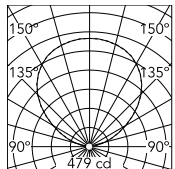
### Technical Drawings

[2D](#)  ZIP

[3D](#)  ZIP



## Schematic light drawing



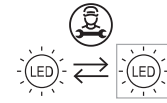
Beam Angle: 108°

h(m)	E(lx)	D(m)
1	479	2.78
2	120	5.55
3	53	8.33
4	30	11.11
5	19	13.88

Luminous flux luminaire  
1314 lm

## Ecodesign and Energy Labelling

This product contains a light source of energy efficiency class G



Replaceable (LED only)  
light source by a  
professional

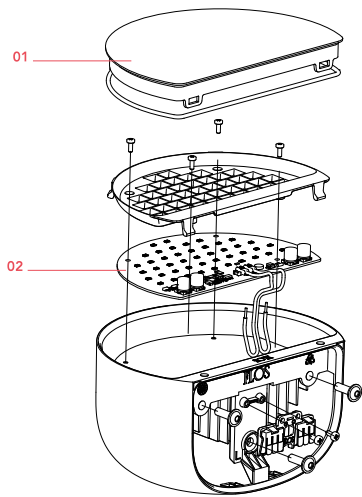
## Photometric

Lighting type	Direct, Indirect
Light distribution	Symmetric
CCT (K)	2700
CRI>	90

## Electrical

Insulation class	II
Frequency (Hz)	50/60
Main voltage (Vac)	120
Driver	Integrated
Dimmable	Yes
Dimming type	Mains Cut Dimming
Dimming interface	Remote Dimmable (Dimmer Not Included)

## Spare Parts



- |     |   |           |
|-----|---|-----------|
| 01. | Bellhop Wall Up Transparent<br>Difusser | RF34084   |
| 02. | Bellhop Wall Up Led board               | RF1080200 |



RF34084  
Bellhop Wall Up Transparent  
Difusser



RF1080200  
Bellhop Wall Up Led board