

FLOS

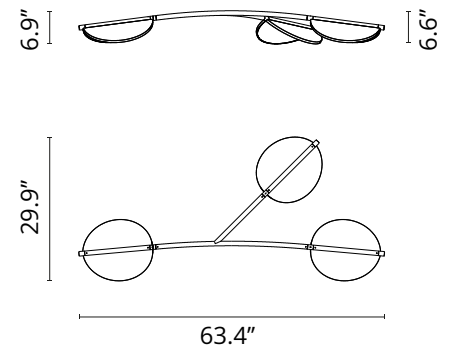
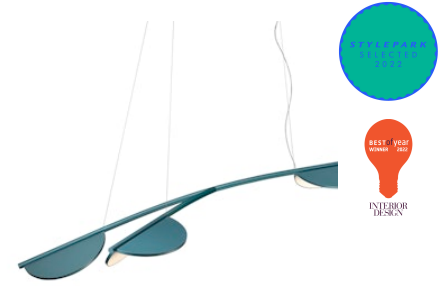
FU039839 Bay Blue Metallized

Almendra Organic Suspension Short 3 Primer

Designed by Patricia Urquiola, 2022

48W - 1338lm - 2700K - CRI> 95

Suspension lamp with diffused light emission available in linear and organic compositions. Tubular structure made of aluminium and CNC aluminium terminals with matte or metallized finish. Edge Lighting technology integrated. Light units can be turned by steps of 60° within the structure in order to change the direction of the light emitted. Metal rosette with primer finish. The integrated electronics in the ceiling rose allow the use of different dimming systems: 1-10V, DALI, push-dim or potentiometer. Useful length of the cable 3 mt. The product has been designed according to the ISCC standards and it is assembled with total absence of glued components so that it can be completely separated for future recyclability.



Are you a professional and your project needs consulting and support?

[BOOK AN APPOINTMENT](#)

Main specifications

EAN	8059607051689
Mounting	Suspension
Environments	Indoor dry location
Light Source Type	LED
Light sources included	Yes
LED type	Edge Lighting
Power (W)	48
System flux (lm)	1338

Physical

Color	Bay Blue Metallized
Length (in)	63.42
Cord color	Clear
Cord length (in)	102.362
Canopy color	Primer
Canopy width (in)	3.937
Canopy height (in)	1.732
Net weight (lb)	21.67
Gross weight (lb)	37.88
Package volume (in)	15138.65
IP internal	20

Download

Mounting instructions [↓ PDF](#)

Photometric Files

LDT / IES [↓ LDT](#)



Photometric

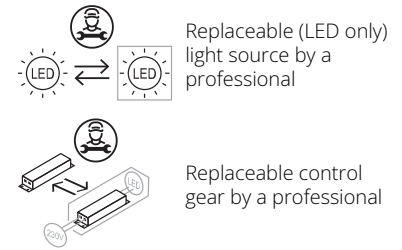
Lighting type	Direct
Light distribution	Symmetric
CCT (K)	2700
CRI>	95

Electrical

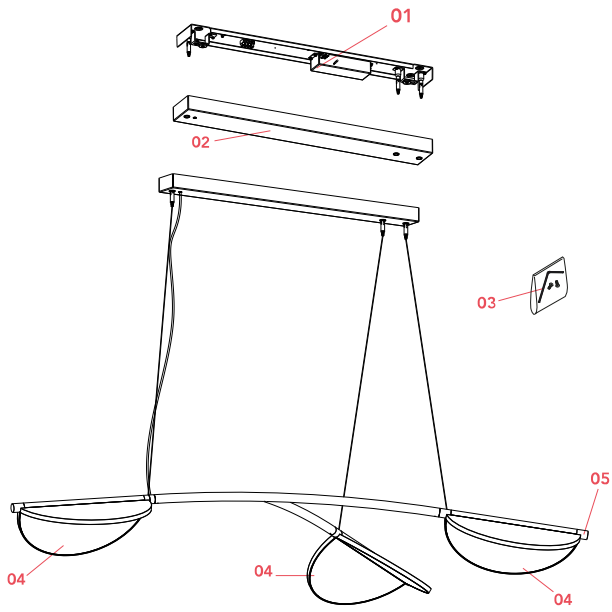
Insulation class	I
Frequency (Hz)	50/60
Main voltage (Vac)	120
Driver	Integrated
Dimmable	Yes
Dimming type	Dimmable
Dimming interface	Remote Dimmable (Dimmer Not Included)
Batteries inside	No

Ecodesign and Energy Labelling

This product contains a light source of energy efficiency class E



Spare Parts



- 03. Kit with screws and allen key RF3160100
- 04. Almendra Suspension Bay blue body assembly RF32518
- 05. Almendra S Arc/Y terminal joint L31 Met. Green RF33250



RF3160100

Kit with screws and allen key



RF32518

Almendra Suspension Bay blue
body assembly



RF33250

Almendra S Arc/Y terminal joint
L31 Met. Green