

FLOS

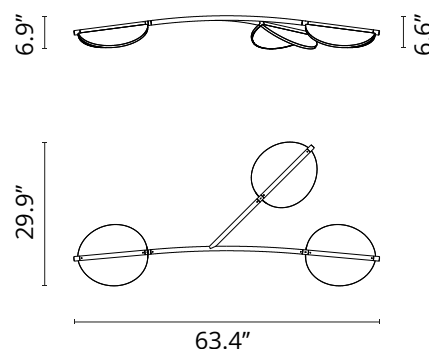
FU039809 Off-white

Almendra Organic Suspension Short 3 Primer

Designed by Patricia Urquiola, 2022

48W - 1755lm - 2700K - CRI> 95

Suspension lamp with diffused light emission available in linear and organic compositions. Tubular structure made of aluminium and CNC aluminium terminals with matte or metallized finish. Edge Lighting technology integrated. Light units can be turned by steps of 60° within the structure in order to change the direction of the light emitted. Metal rosette with primer finish. The integrated electronics in the ceiling rose allow the use of different dimming systems: 1-10V, DALI, push-dim or potentiometer. Useful length of the cable 3 mt. The product has been designed according to the ISCC standards and it is assembled with total absence of glued components so that it can be completely separated for future recyclability.



Are you a professional and your project needs consulting and support?

[BOOK AN APPOINTMENT](#)

Main specifications

| | |
|------------------------|---------------------|
| EAN | 8059607051641 |
| Mounting | Suspension |
| Environments | Indoor dry location |
| Light Source Type | LED |
| Light sources included | Yes |
| LED type | Edge Lighting |
| Power (W) | 48 |
| System flux (lm) | 1755 |

Physical

| | |
|---------------------|-----------|
| Color | Off-white |
| Length (in) | 63.42 |
| Cord color | Clear |
| Cord length (in) | 102.362 |
| Canopy color | Primer |
| Canopy width (in) | 3.937 |
| Canopy height (in) | 1.732 |
| Net weight (lb) | 22.77 |
| Gross weight (lb) | 40.12 |
| Package volume (in) | 15138.65 |
| IP internal | 20 |

Download

[Mounting instructions](#)  PDF

Photometric Files

[LDT / IES](#)  LDT



Photometric

| | |
|--------------------|-----------|
| Lighting type | Direct |
| Light distribution | Symmetric |
| CCT (K) | 2700 |
| CRI> | 95 |

Electrical

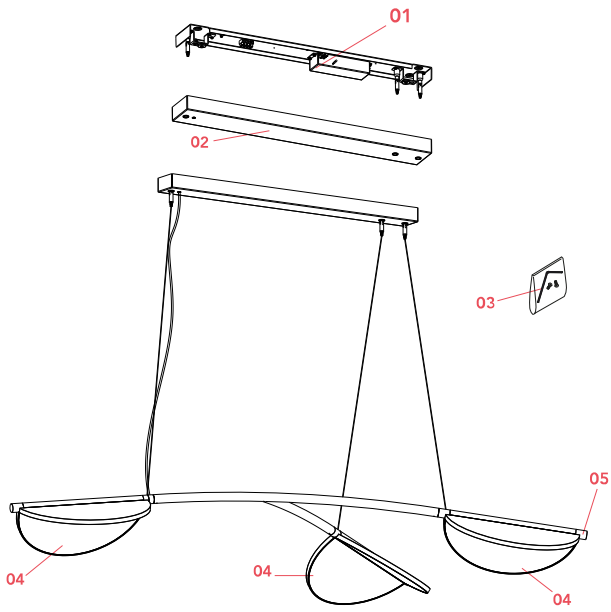
| | |
|--------------------|--|
| Insulation class | I |
| Frequency (Hz) | 50/60 |
| Main voltage (Vac) | 120 |
| Driver | Integrated |
| Dimmable | Yes |
| Dimming type | Dimmable |
| Dimming interface | Remote Dimmable (Dimmer Not Included) |
| Batteries inside | No |

Ecodesign and Energy Labelling

This product contains a light source of energy efficiency class E



Spare Parts



- | | | |
|-----|--|---------|
| 04. | Almendra Suspension White body assembly | RF32514 |
| 05. | Almendra S Arc/Y terminal joint L31 White | RF33246 |



RF32514
Almendra Suspension White body
assembly



RF33246
Almendra S Arc/Y terminal joint
L31 White