

RF18763

Kelvin Led Grey insert for lamp base



WARNING! When installing and whenever acting on the appliance, ensure that the power supply has been switched off.
For the installation of the spare-part, it is necessary to consult a qualified electrician.

RF18763

Kelvin Led Grey insert for lamp base

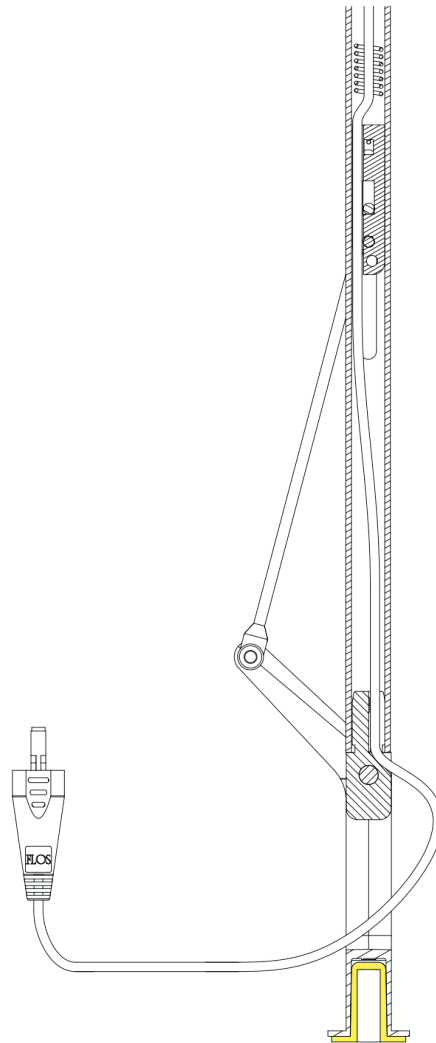


Fig.1

Glue the insert inside the lower joint by utilizing a bicomponent glue.

WARNING! When installing and whenever acting on the appliance, ensure that the power supply has been switched off.
For the installation of the spare-part, it is necessary to consult a qualified electrician.