

RF31153

Oplight Wall 1 Diffuser



WARNING! When installing and whenever acting on the appliance, ensure that the power supply has been switched off.
For the installation of the spare-part, it is necessary to consult a qualified electrician.

RF31153

Oplight Wall 1 Diffuser

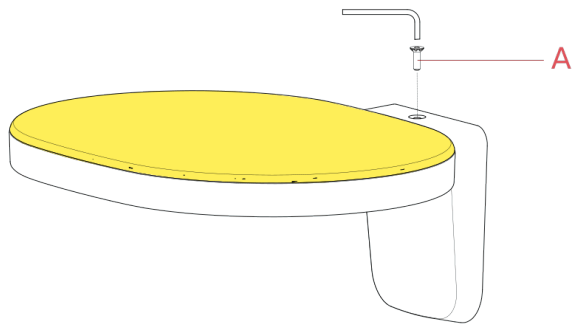


Fig.1

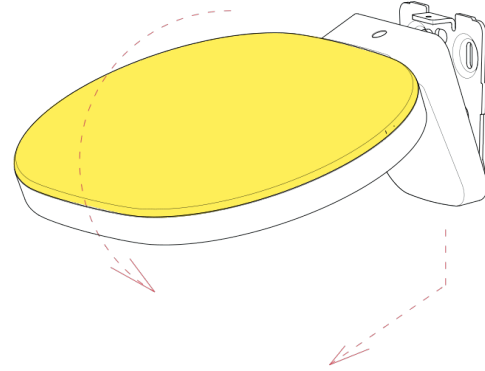


Fig.2

Unscrew the screw (A).
Remove the body lamp from the wall attach.

WARNING! When installing and whenever acting on the appliance, ensure that the power supply has been switched off.
For the installation of the spare-part, it is necessary to consult a qualified electrician.

RF31153

Oplight Wall 1 Diffuser

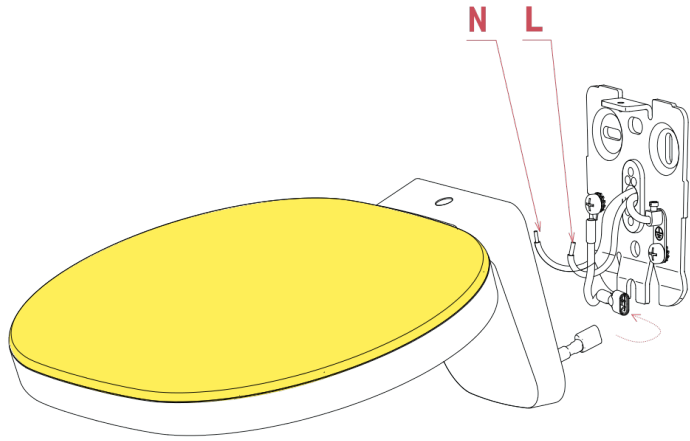


Fig.3

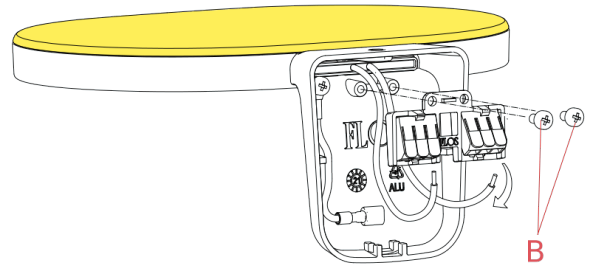


Fig.4

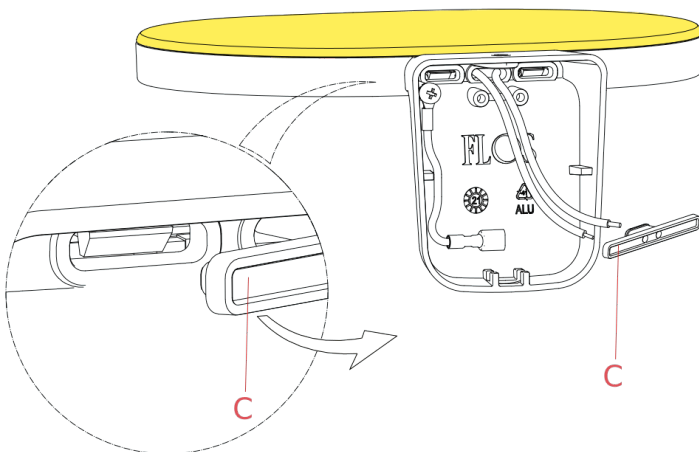


Fig.5

- Disconnect the electrical cables (L-N) from the cable clamp. (Fig.3)
- Remove the n° 2 screws (B). (Fig.4)
- Remove the rubber cable gland (C). (Fig.5)

WARNING! When installing and whenever acting on the appliance, ensure that the power supply has been switched off.
For the installation of the spare-part, it is necessary to consult a qualified electrician.

RF31153

Oplight Wall 1 Diffuser

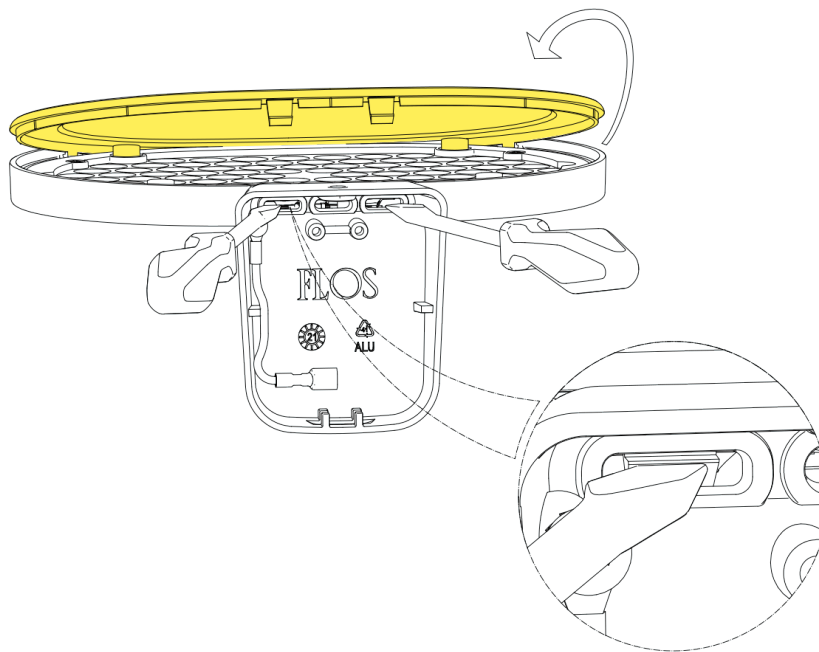


Fig.6

Using a cut screwdriver force the white plastic diffuser and remove it from body lamp.
Replace the old diffuser with the new one.

WARNING! When installing and whenever acting on the appliance, ensure that the power supply has been switched off.
For the installation of the spare-part, it is necessary to consult a qualified electrician.