

**F6609000**

Taccia LED transparent diffuser & reflector (PMMA)



WARNING! When installing and whenever acting on the appliance, ensure that the power supply has been switched off.  
For the installation of the spare-part, it is necessary to consult a qualified electrician.

**F6609000**

Taccia LED transparent diffuser &amp; reflector (PMMA)

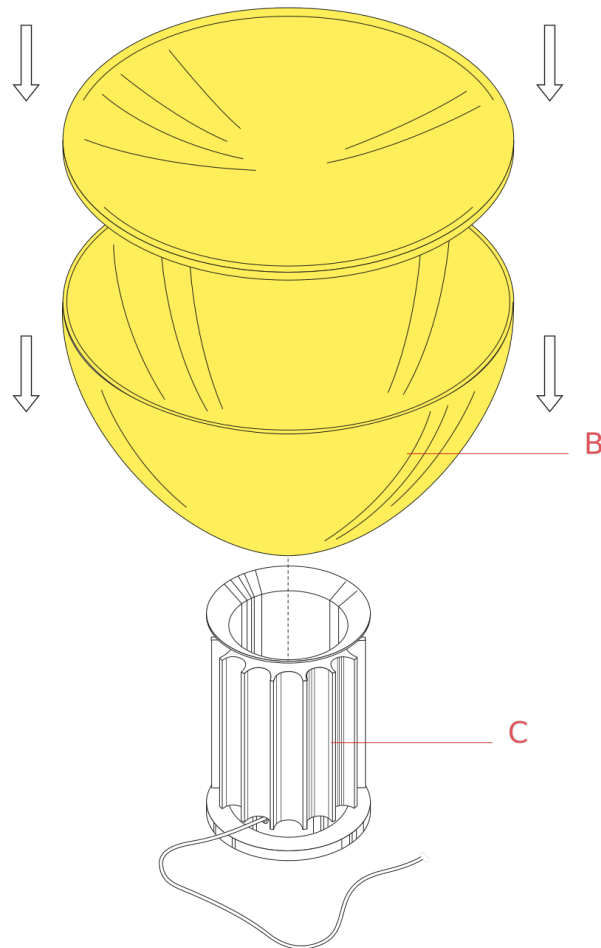


Fig.1

Position the diffuser (B) and the reflector (A) on the base (C).

WARNING! When installing and whenever acting on the appliance, ensure that the power supply has been switched off. For the installation of the spare-part, it is necessary to consult a qualified electrician.