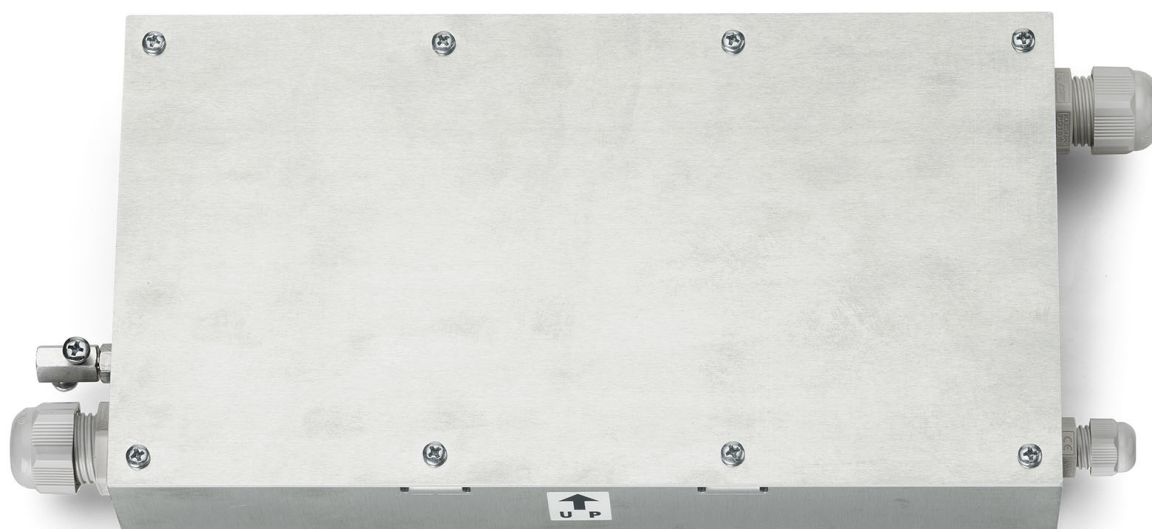


# RF27614

Arrangements Recessed power unit



WARNING! When installing and whenever acting on the appliance, ensure that the power supply has been switched off.  
For the installation of the spare-part, it is necessary to consult a qualified electrician.

# RF27614

Arrangements Recessed power unit

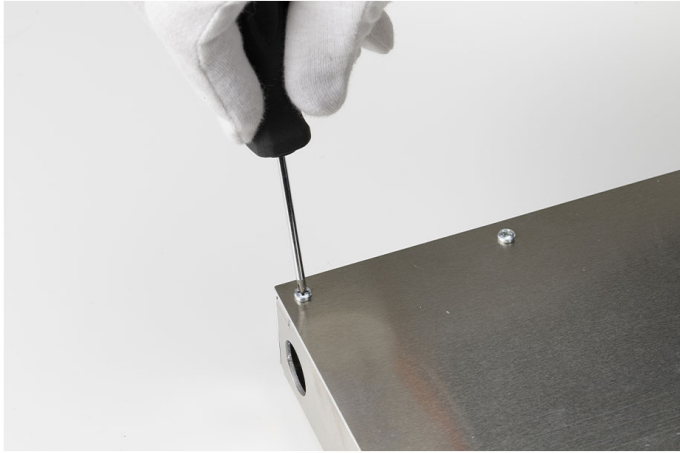


Fig.1

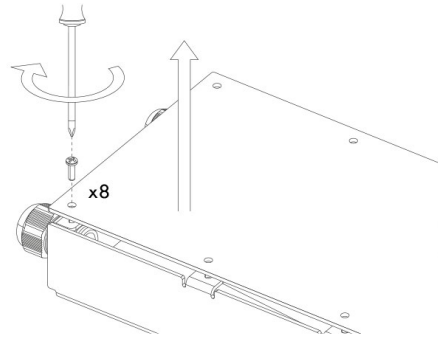


Fig.2

Remove the cover of the old power unit.

WARNING! When installing and whenever acting on the appliance, ensure that the power supply has been switched off.  
For the installation of the spare-part, it is necessary to consult a qualified electrician.

# RF27614

Arrangements Recessed power unit

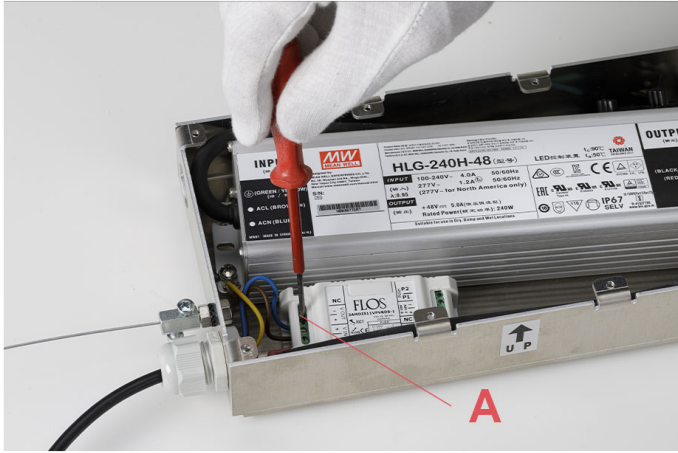


Fig.3

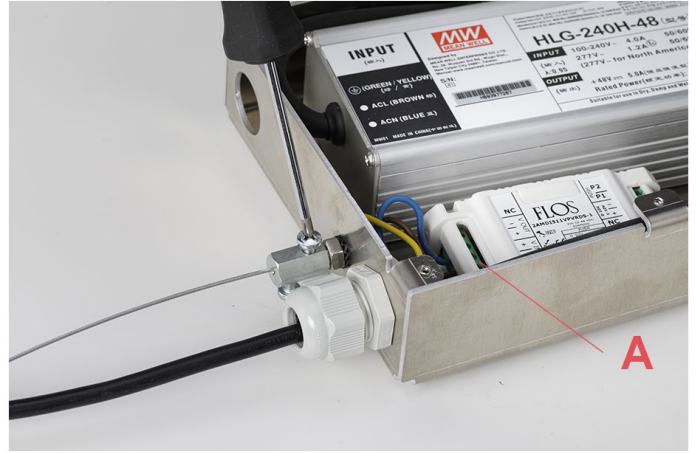


Fig.4

Disconnect the wires from the old dimmer (A) using a screwdriver.

WARNING! When installing and whenever acting on the appliance, ensure that the power supply has been switched off. For the installation of the spare-part, it is necessary to consult a qualified electrician.

# RF27614

Arrangements Recessed power unit

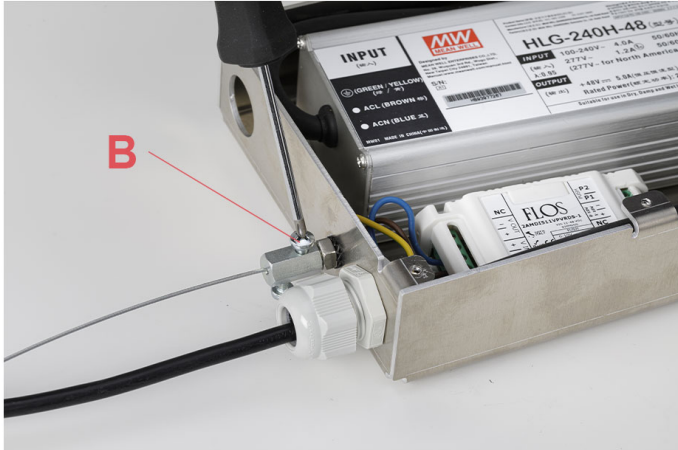


Fig.5

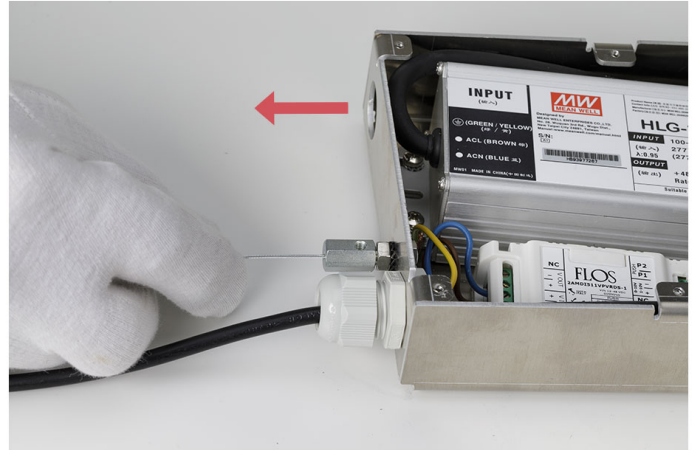


Fig.6

Unscrew the two screws (B) using a screwdriver.  
Unthread the steel wire cable.

WARNING! When installing and whenever acting on the appliance, ensure that the power supply has been switched off.  
For the installation of the spare-part, it is necessary to consult a qualified electrician.

# RF27614

Arrangements Recessed power unit

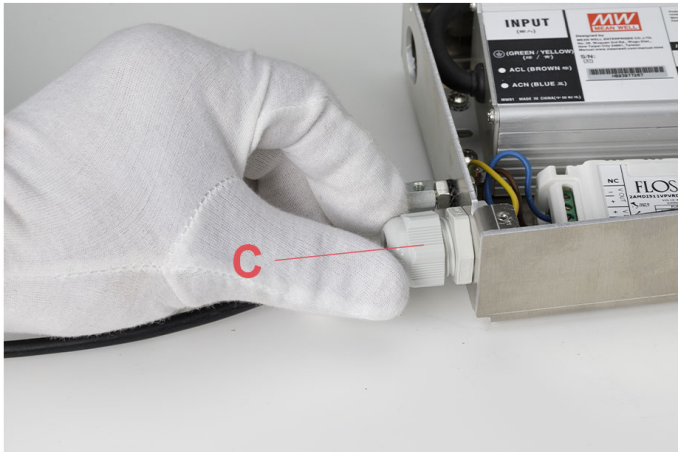


Fig.7



Fig.8

Unscrew the cable clamp (C).  
Unthread the electrical cable.

WARNING! When installing and whenever acting on the appliance, ensure that the power supply has been switched off.  
For the installation of the spare-part, it is necessary to consult a qualified electrician.

# RF27614

Arrangements Recessed power unit

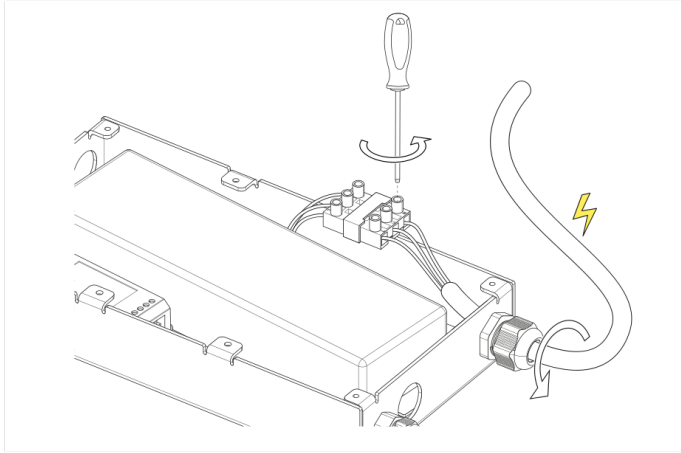


Fig.9

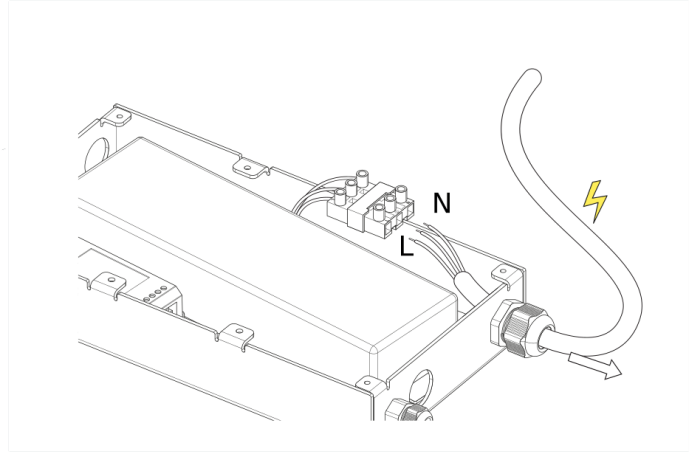


Fig.10

Unscrew the cable clamp (C).  
Unthread the electrical cable.

WARNING! When installing and whenever acting on the appliance, ensure that the power supply has been switched off.  
For the installation of the spare-part, it is necessary to consult a qualified electrician.

## RF27614

Arrangements Recessed power unit

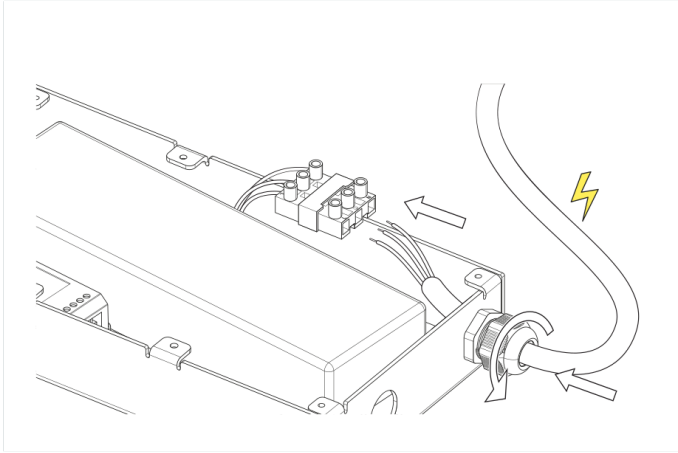


Fig.11

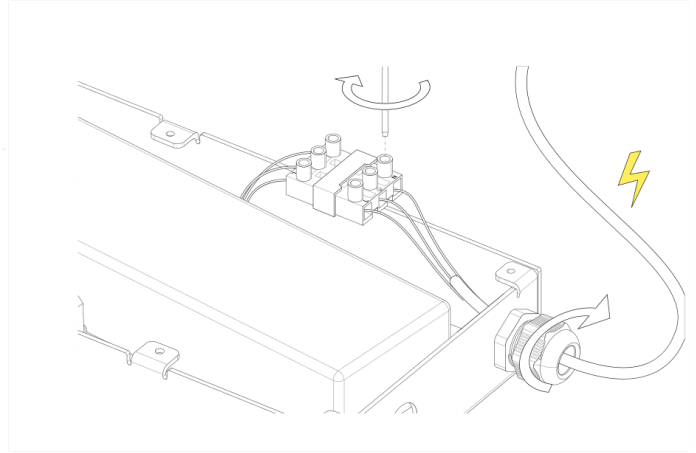


Fig.12

Unscrew the cable clamp of the new Power Unit. Insert the electrical cable. Screw the cable clamp. Connect the electrical wires to the pin using a screwdriver.

WARNING! When installing and whenever acting on the appliance, ensure that the power supply has been switched off. For the installation of the spare-part, it is necessary to consult a qualified electrician.

# RF27614

Arrangements Recessed power unit

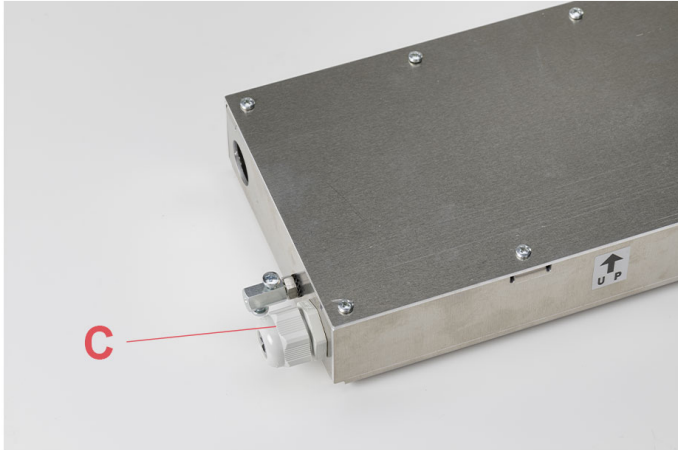


Fig.13



Fig.14

Unscrew the cable clamp (C).(Fig.13-14)

Insert the electrical cable.

Screw the cable clamp (C).

Insert the steel wire cable and fix it with the n°2 screws (B).(Fig. 5-6 page 11)

Connect the wires to the dimmer.(Fig.4 page 10)

Fasten the screws of the dimmer using a screwdriver.(Fig.3 page 10)

Place the cover on the ceiling rose.(Fig.2 page 9)

Fasten the screws.(Fig.1 page 9)

WARNING! When installing and whenever acting on the appliance, ensure that the power supply has been switched off.  
For the installation of the spare-part, it is necessary to consult a qualified electrician.