

RF3170357

Ic Suspension 1/Suspension 2 chrome ceiling rose assembly



WARNING! When installing and whenever acting on the appliance, ensure that the power supply has been switched off.
For the installation of the spare-part, it is necessary to consult a qualified electrician.

RF3170357

Ic Suspension 1/Suspension 2 chrome ceiling rose assembly

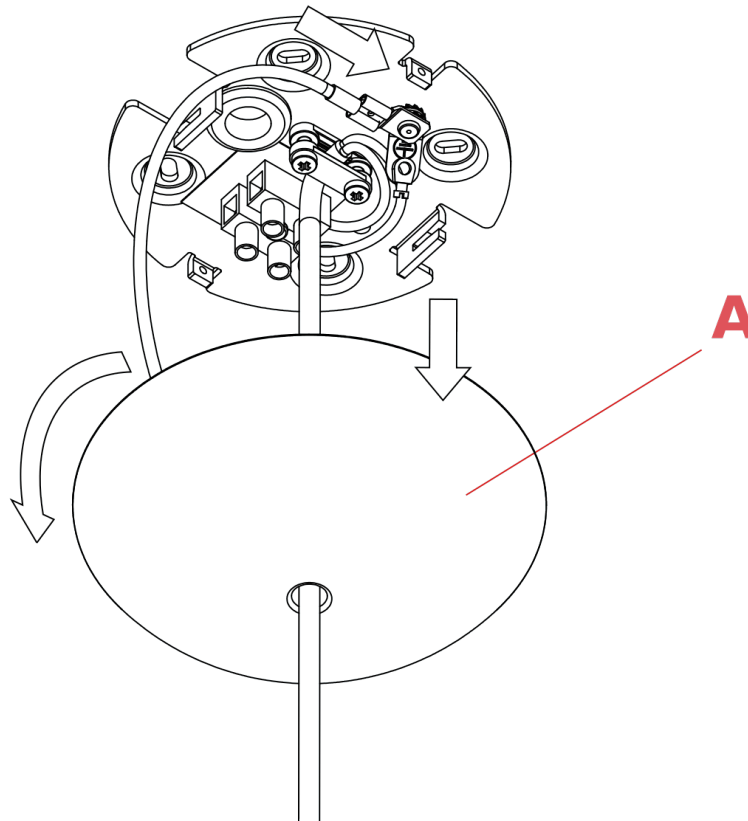


Fig.1

Disassemble the ceiling rose by unscrewing the cover (A) and moving it downwards.

WARNING! When installing and whenever acting on the appliance, ensure that the power supply has been switched off.
For the installation of the spare-part, it is necessary to consult a qualified electrician.

RF3170357

Ic Suspension 1/Suspension 2 chrome ceiling rose assembly

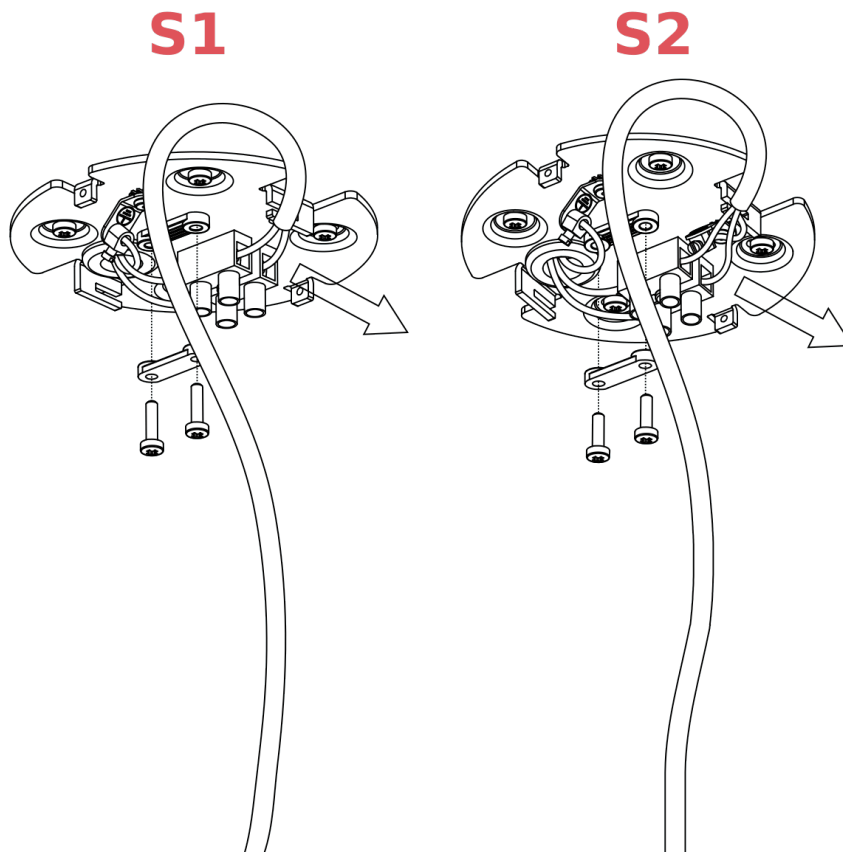


Fig.2

Disconnect the lamp from the terminals.

WARNING! When installing and whenever acting on the appliance, ensure that the power supply has been switched off.
For the installation of the spare-part, it is necessary to consult a qualified electrician.

RF3170357

Ic Suspension 1/Suspension 2 chrome ceiling rose assembly

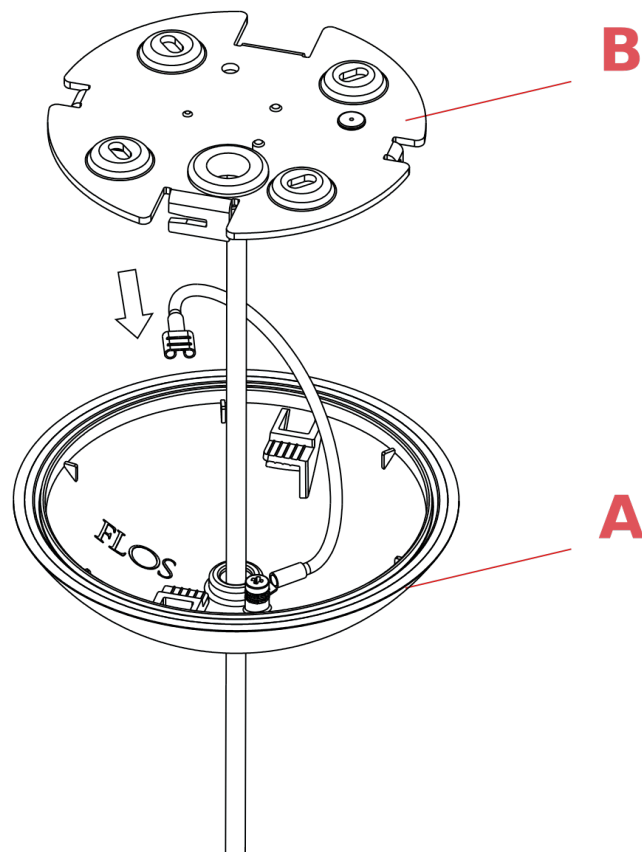


Fig.2

Disconnect the cable connecting the cover (A) to the wall attached (B) and unplug the complete fixture.
Assemble now the spare-part.

WARNING! When installing and whenever acting on the appliance, ensure that the power supply has been switched off.
For the installation of the spare-part, it is necessary to consult a qualified electrician.