

F1532009

Captain Flint White marble base



WARNING! When installing and whenever acting on the appliance, ensure that the power supply has been switched off.
For the installation of the spare-part, it is necessary to consult a qualified electrician.

F1532009

Captain Flint White marble base

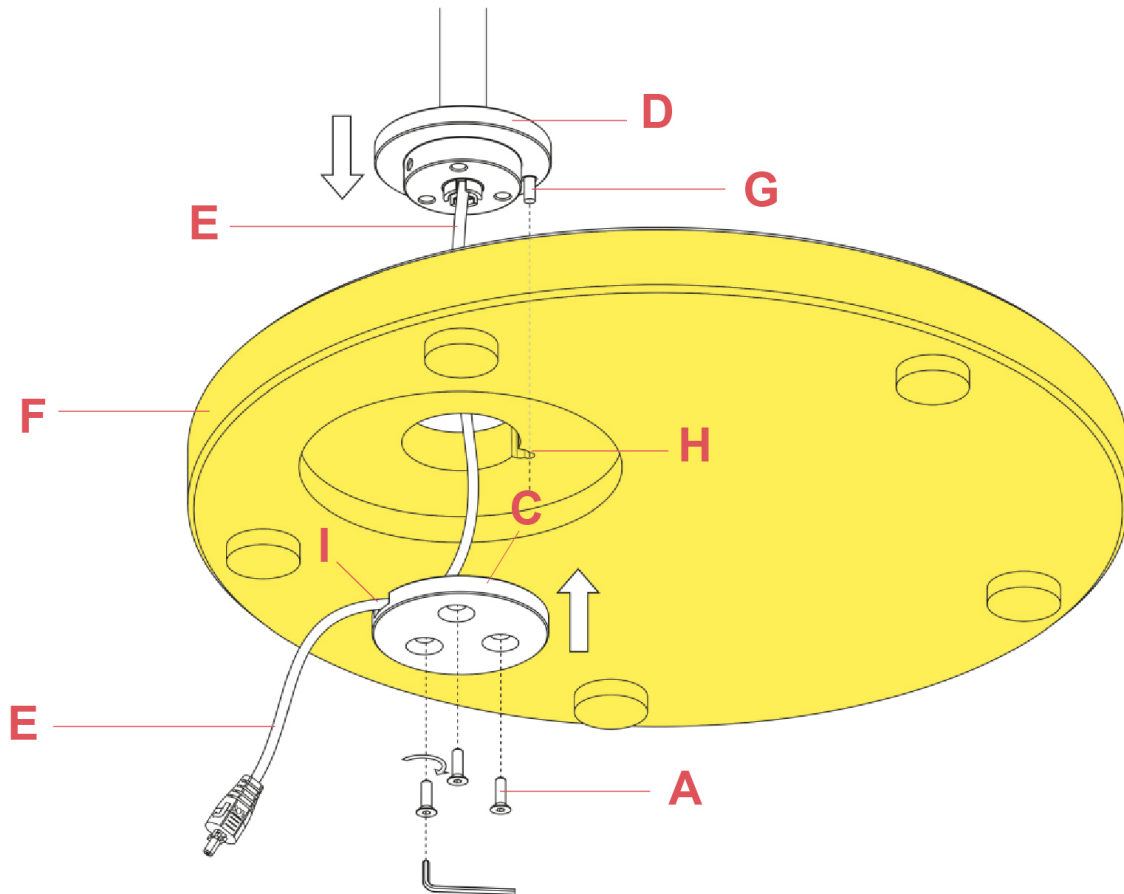


Fig.1

Insert the cable (E) into the hole of the base (F) and place the upper flange (D) inserting the plug into the slot (H). Fix the lower flange (C) through the screws (A) paying attention to insert the cable (E) into the split (I) which must be placed opposite the plug (G).

WARNING! When installing and whenever acting on the appliance, ensure that the power supply has been switched off. For the installation of the spare-part, it is necessary to consult a qualified electrician.