

RF0011200

Kit with locking screws and terminal box



WARNING! When installing and whenever acting on the appliance, ensure that the power supply has been switched off.
For the installation of the spare-part, it is necessary to consult a qualified electrician.

RF0011200

Kit with locking screws and terminal box

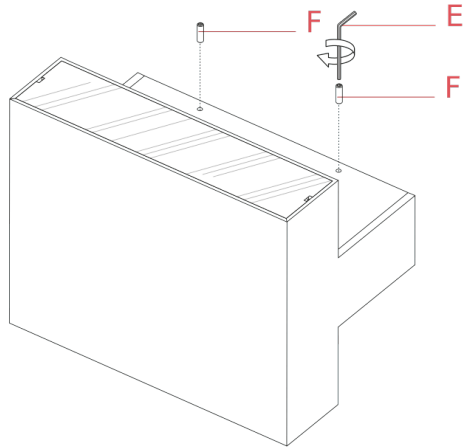


Fig.1

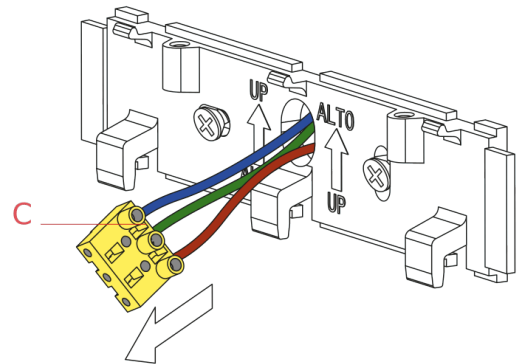


Fig.2

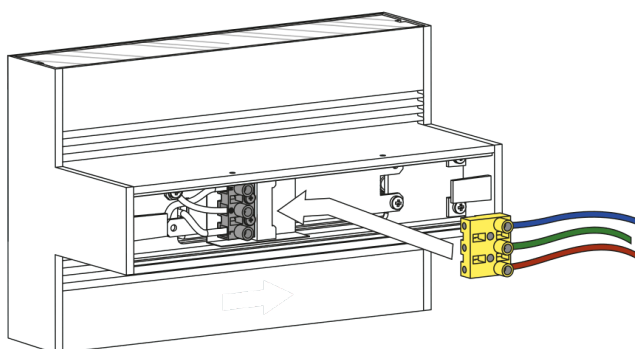


Fig.3

Lock the lamp to the wall attachment by fastening the screws (F) through the Allen key tool (E). (Fig.1)
Connect the electrical wires that come out from the wall to the terminal box female connector by respecting the polarities.

The ground wire (yellow-green) has to be connected to the middle terminal. (Fig.2)

Connect the female connector (C) to the male connector (G) of the device. (Fig.3)

WARNING! When installing and whenever acting on the appliance, ensure that the power supply has been switched off.
For the installation of the spare-part, it is necessary to consult a qualified electrician.

RF0011200

Kit with locking screws and terminal box

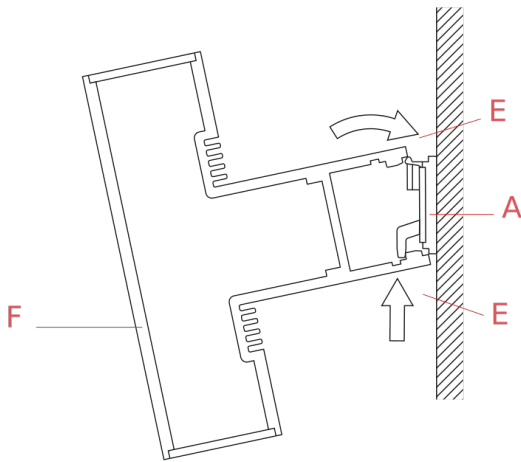


Fig. 4

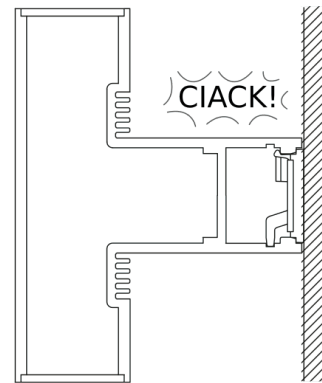


Fig. 5

Mount the body (D) of the device to the wall attachment (A), ensure that the hooks correspond with there apposite grooves (E) and continue until the device is completely hooked-on.

WARNING! When installing and whenever acting on the appliance, ensure that the power supply has been switched off. For the installation of the spare-part, it is necessary to consult a qualified electrician.

RF0011200

Kit with locking screws and terminal box

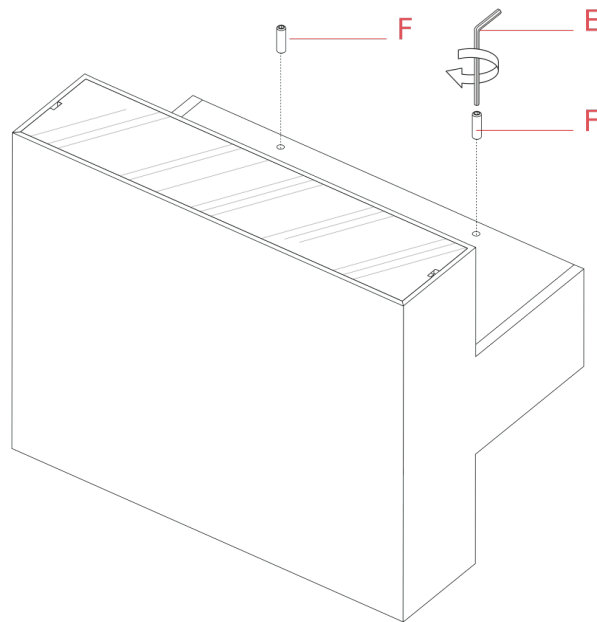


Fig.6

Lock the lamp to the wall attachment by fastening the screws (F) through the Allen key tool (E).

WARNING! When installing and whenever acting on the appliance, ensure that the power supply has been switched off.
For the installation of the spare-part, it is necessary to consult a qualified electrician.

©2021 Flos - All rights reserved - www.flos.com
Flos reserves the right to introduce any changes to its own models, without prior notice.