

BELLHOP WALL UP
FU108009

EN

RF34084
TRANSPARENT DIFFUSER



WARNING! When installing and whenever acting on the appliance, ensure that the power supply has been switched off.
For the installation of the spare-part, it is necessary to consult a qualified electrician.

©2021 Flos - All rights reserved - www.flos.com

Flos reserves the right to introduce any changes to its own models, without prior notice.

BELLHOP WALL UP
FU108009

EN

RF34084

TRANSPARENT DIFFUSER

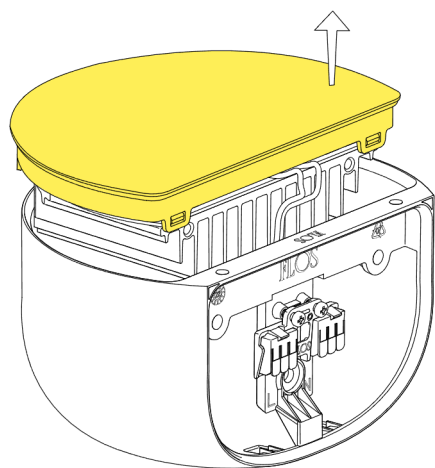


Fig.1

Remove the diffuser assembly from the body lamp.

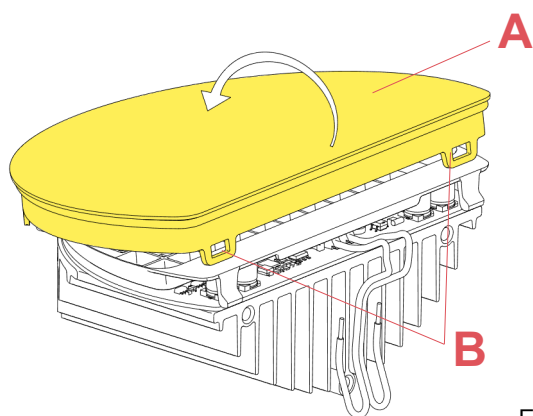


Fig.2

Release the diffuser (A) using the hooks (B).

Assemble now the new spare parts.

WARNING! When installing and whenever acting on the appliance, ensure that the power supply has been switched off.
For the installation of the spare-part, it is necessary to consult a qualified electrician.