

# RF3190100

Chrome locking cap assembly



WARNING! When installing and whenever acting on the appliance, ensure that the power supply has been switched off.  
For the installation of the spare-part, it is necessary to consult a qualified electrician.

**RF3190100**

Chrome locking cap assembly

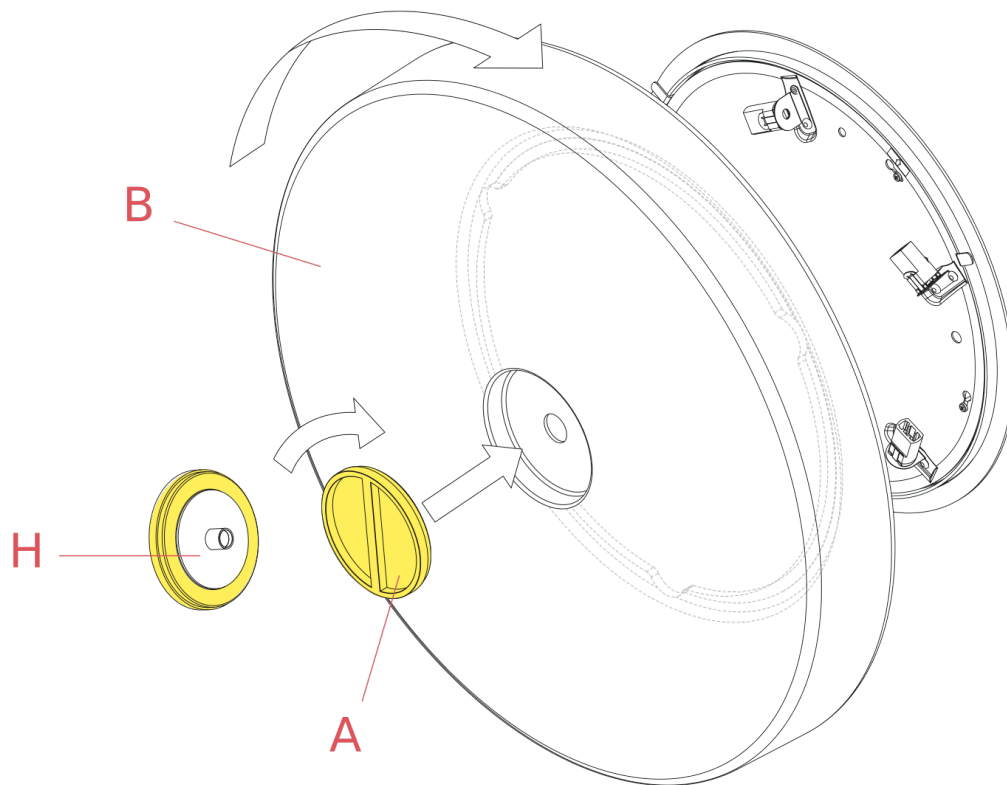


Fig.1

Position the diffuser (B) to the lamp onto the lamp structure. Ensure that the gasket (H) is located correctly on the cap (A). Lock the diffuser to the lamp structure by rotating the cap (A) clockwise.

WARNING! When installing and whenever acting on the appliance, ensure that the power supply has been switched off. For the installation of the spare-part, it is necessary to consult a qualified electrician.