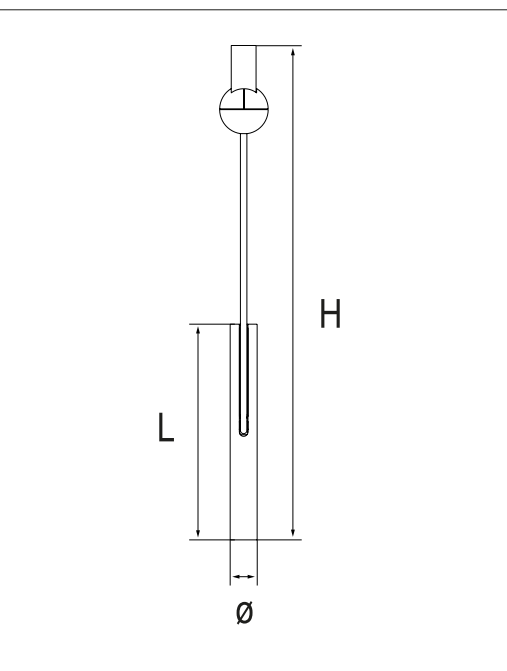


A LUMINAIRE INSTALLATION

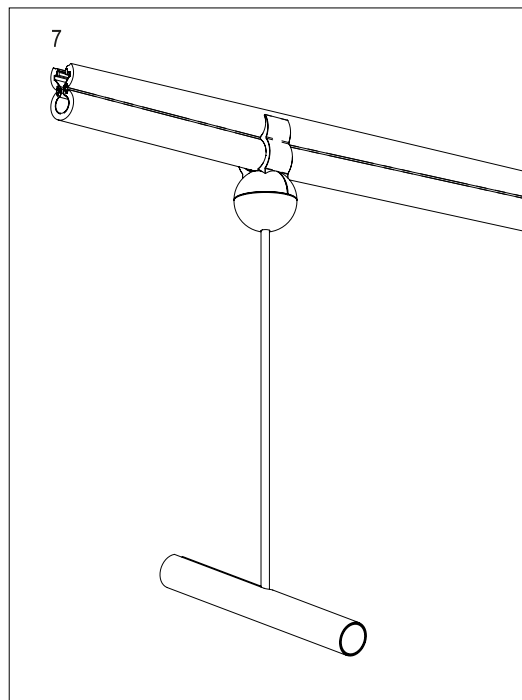
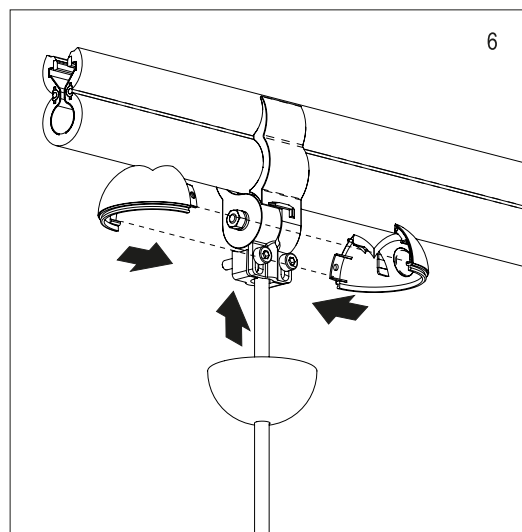
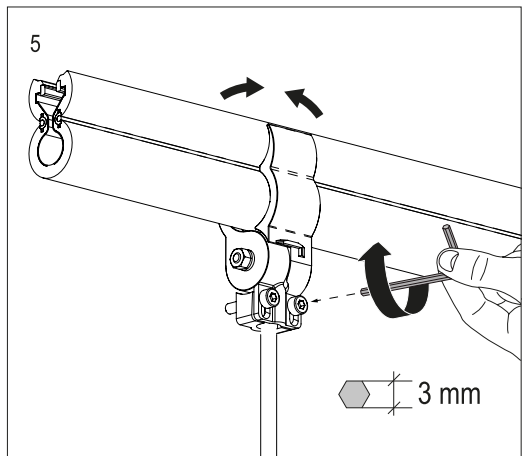
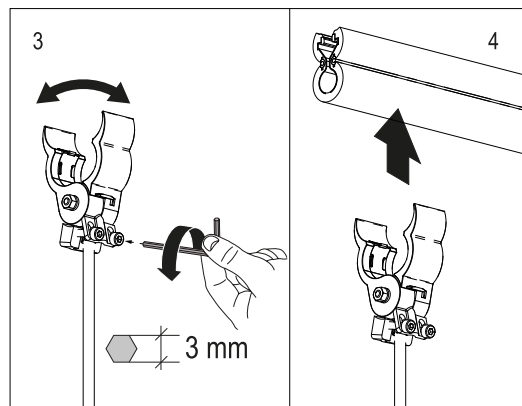
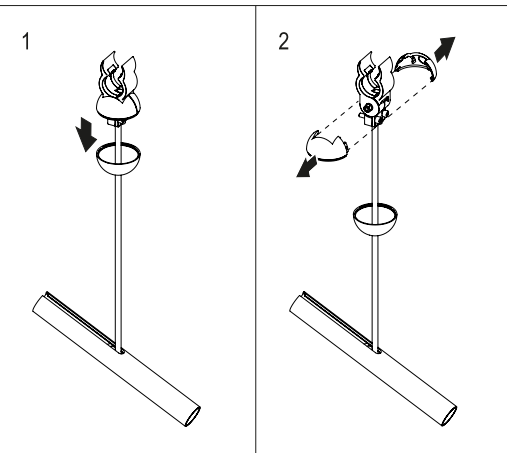
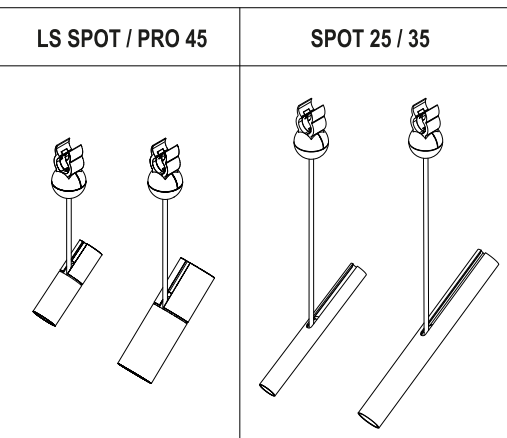
INSTALACIÓN DE LA LUMINARIA / INSTALLAZIONE DELLA LAMPADA /
 INSTALLATION DER BELEUCHTUNG / INSTALLATION DU LUMINAIRE /
 INSTALAÇÃO DO APARELHO DE ILUMINAÇÃO / 照明器具の設置・据付け /
 灯具的安装 / МОНТАЖ ОСВЕТИТЕЛЬНОГО ПРИБОРА /
 ШАМДАЛДЫ ОРНАТУ / تركيب وحدة الإنارة

WARNING
ATENCIÓN Only use with the electrical supply track system:
 Usar solo con los siguientes sistemas de carriles eléctricos:

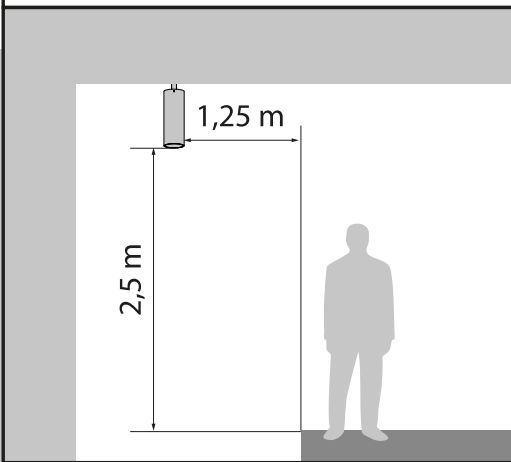
"My Circuit system"



Reference	L (mm)	Ø (mm)	H(mm)	Power (W)	Weight (Kg)
Spot 25	200	25	456	4	0,25
LS Spot	112	35	277	4	0,2
Spot 35	270	34	645	8	0,45
LS Pro 45	160	51	354	8	0,36



WARNING/ADVERTENCIA
 Only install out of the volume of accessibility.
 Solo instale fuera del volumen de accesibilidad.



LED DRIVER ≤ 60 Vout

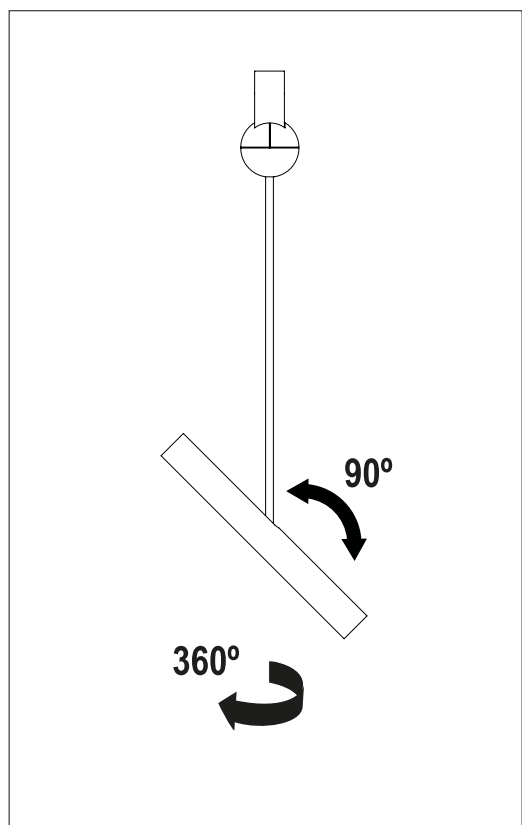
ATTENTION

The voltage under load does not exceed 25 V r.m.s. or 60 V ripple-free d.c. and the no-load voltage does not exceed 35 V peak or 60 V ripple-free d.c.
 El voltaje bajo carga no excede los 25 V r.m.s. o 60 V sin ondulaciones d.c. y el voltaje sin carga no supera los 35 V pico o 60 V sin ondulaciones d.c.

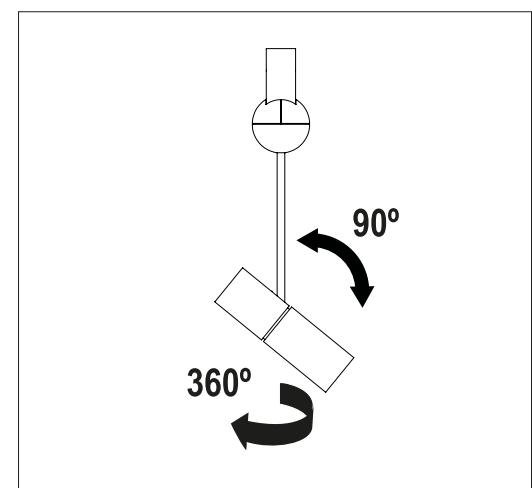
B LUMINAIRE TILT ADJUSTMENT

REGULACIÓN DE LA INCLINACIÓN DE LA LUMINARIA / REGOLAZIONE DELL'INCLINAZIONE DEL DISPOSITIVO DI ILLUMINAZIONE /
 NEIGUNGSREGLER DER LICHTQUELLE / RÉGLAGE DE L'INCLINAISON DU LUMINAIRE /
 REGULACÃO DA INCLINAÇÃO DA LUMINÁRIA / 照明の角度調節 / 调节照明的倾斜度 / РЕГУЛИРОВКА НАКЛОНА ОСВЕТИТЕЛЬНОГО ПРИБОРА /
 ШАМДАЛДЫ ЕЖКЕЙТУДИ РЕТТЕУ ضبط إمالة المصباح

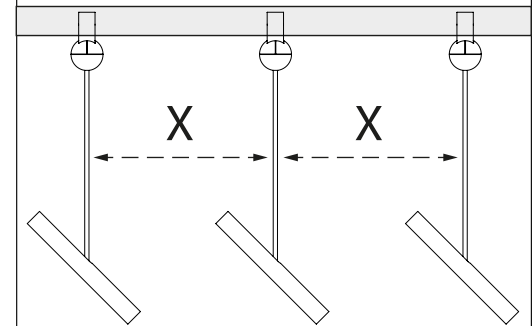
MY CIRCUIT SPOT 25 / 35



MY CIRCUIT LIGHT SHADOW SPOT / PRO 45



CASAMBI: MAXIMUM DISTANCE BETWEEN SPOTS / MÁXIMA DISTANCIA ENTRE SPOTS



Ref	X (m)
Spot 25	12
LS Spot	12
Spot 35	6
LS Pro 45	12

CLASIFICACION ENERGÉTICA ENERGY CLASSIFICATION

Spot 25 LS Spot Ls Pro 45	F
Spot 35	G

Replaceable (LED only) light source by a professional / Fuente de luz (solo LED) reemplazable por un profesional

Replaceable control gear by professional / Equipo de control reemplazable por profesional

DIMENSION CONVERSION TABLE

mm	inch
3	0,12
25	0,98
34	1,34
35	1,38
51	2,01
112	4,41
160	6,30
200	7,87
270	10,63
277	10,91
354	13,94
456	17,95
645	25,39
1250	49,21
2500	98,43
6000	236,22
12000	472,44

US

IMPORTANT SAFETY INSTRUCTIONS

- Installation by a qualified electrician only.
 - Luminaire should only be used with Flos accessories or components.
 - System is intended for installation in accordance with National Electric Code, and local regulations.
 - Luminaires intended for surfaces that are not normally flammable.
 - Do not conceal or extend exposed conductors through a building wall.
 - Do not install this system in wet locations.
 - For low voltage exposed insulated conductor systems, Do not install any part of this system less than 7 feet (2.2 m) above the floor.
 - To reduce the risk of fire and burns, do not install this lighting system where the exposed bare conductors can be shorted or contact any conductive materials.
 - To reduce the risk of fire and overheating, make sure all connections are tight.
 - Do not install any luminaire closer than 6 inches (15.25 cm) from any curtain, or similar combustible materials. Turn off electrical power before modifying the lighting system in any way.
 - Do not connect track to more than one branch circuit.
- SAVE THESE INSTRUCTIONS**

- READ ALL OF THESE INSTALLATION INSTRUCTIONS BEFORE INSTALLING THE TRACK SYSTEM.
- SAVE THESE INSTRUCTIONS AND REFER TO THEM WHEN ADDITIONS TO OR CHANGES IN THE TRACK CONFIGURATION ARE MADE.
- The track system is not intended for use with a power supply cord or convenience receptacle adapter.
- The track is not intended to be pendant mounted such as by stem or wire.
- Do not attempt to energize anything other than lighting track fixtures on the track. To reduce the risk of fire and electrical shock, do not attempt to connect power tools, extension cords, appliances, and the like to the track.
- Track sections designed only for use with mounting clips shall be marked "For Clip Mounting Only."
- Supply only with a 48 Vdc Class 2 power unit.