

F3015061

Glo-Ball Suspension2 white diffuser



WARNING! When installing and whenever acting on the appliance, ensure that the power supply has been switched off.
For the installation of the spare-part, it is necessary to consult a qualified electrician.

F3015061

Glo-Ball Suspension2 white diffuser

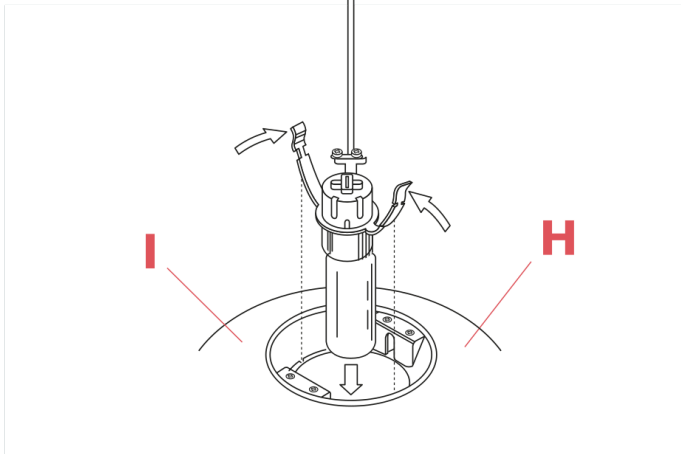


Fig.6

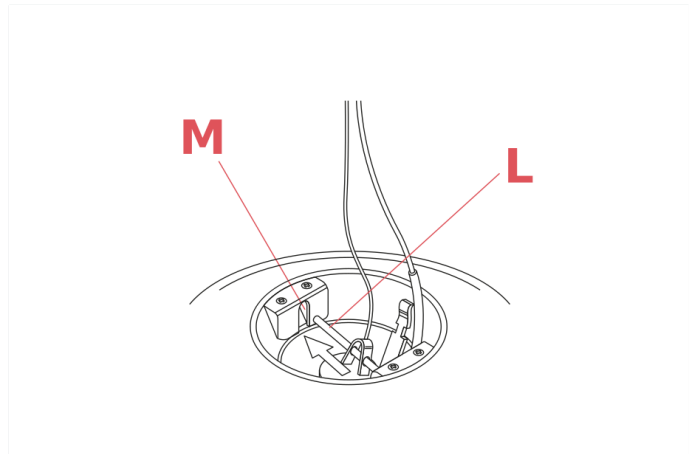


Fig.7

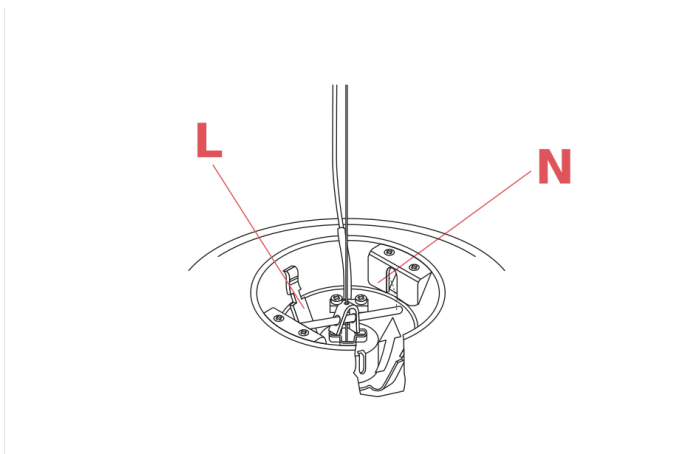


Fig.8

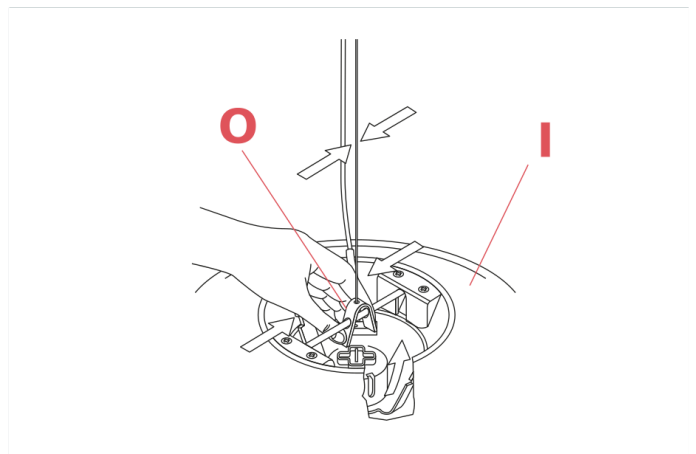


Fig.9

Insert the bulb. Insert the bulb-holder in its housing (H) in the diffuser (I). (fig.1)

Insert the rod (L) in the housing (M). (fig.2)

Hook the rod (L) into the housing (N), until it locks "clicks -in". (fig.3)

To balance the diffuser (I), regulate the spring (O) on the horizontal axis. (fig.4)

WARNING! When installing and whenever acting on the appliance, ensure that the power supply has been switched off.
For the installation of the spare-part, it is necessary to consult a qualified electrician.