

RF06745

Anchor hook screw



WARNING! When installing and whenever acting on the appliance, ensure that the power supply has been switched off.
For the installation of the spare-part, it is necessary to consult a qualified electrician.

RF06745

Anchor hook screw

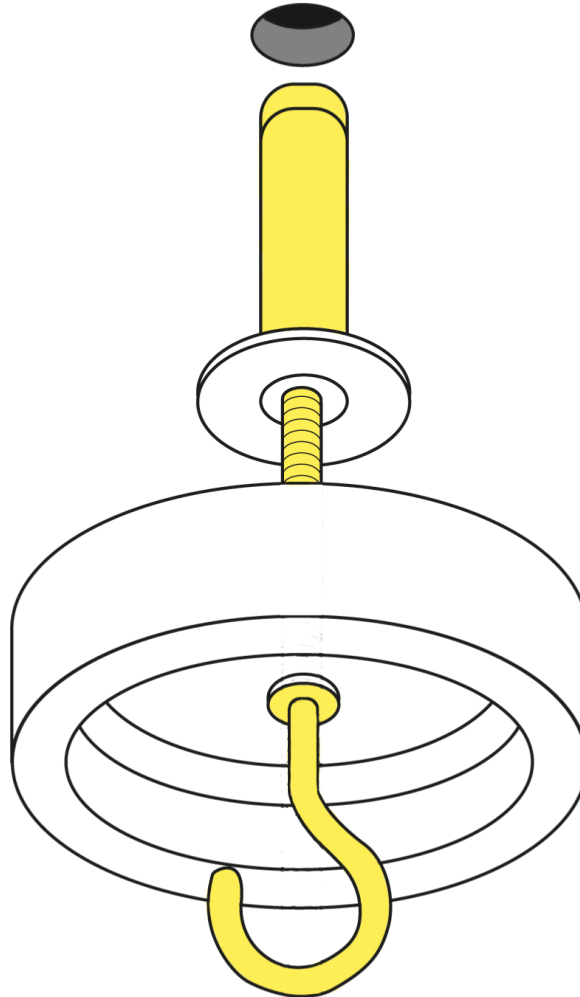


Fig.1

Unscrew hook from expansion bolt, pass the hook through ceiling rose.

Drill a hole in the ceiling and insert the expansion bolt with hook.

Tighten the hook screw to fix the ceiling rose.

REMARKS! Select and employ screw plugs which are suited to the surface where the appliance is to be installed.