

RLU706700

2097 Ceiling Rose



WARNING! When installing and whenever acting on the appliance, ensure that the power supply has been switched off.
For the installation of the spare-part, it is necessary to consult a qualified electrician.

RLU706700

2097 Ceiling Rose

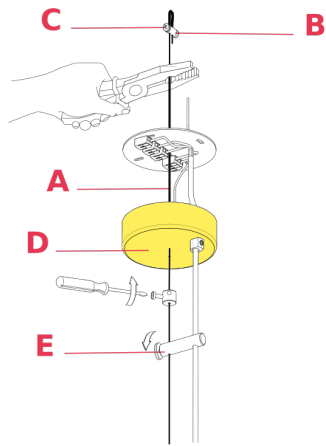


Fig.1

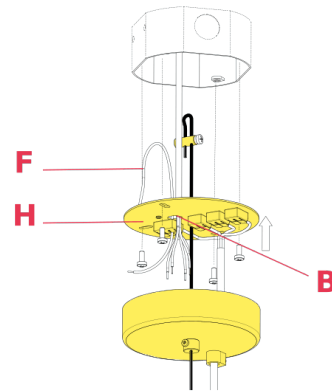


Fig.2

Determine the desired length of the steel cable (A) then cut it to make it pass it through the cable lock (B) forming a loop and fasten it with the screw (C);

NOTE: to allow the sliding of the steel cable steel loosen the screws (D) and (E).

Attach the mounting plate (H) to the junction box, taking care to route the power cables from the junction box and the ground wire (F) through the hole (G).

WARNING! When installing and whenever acting on the appliance, ensure that the power supply has been switched off. For the installation of the spare-part, it is necessary to consult a qualified electrician.

RLU706700

2097 Ceiling Rose

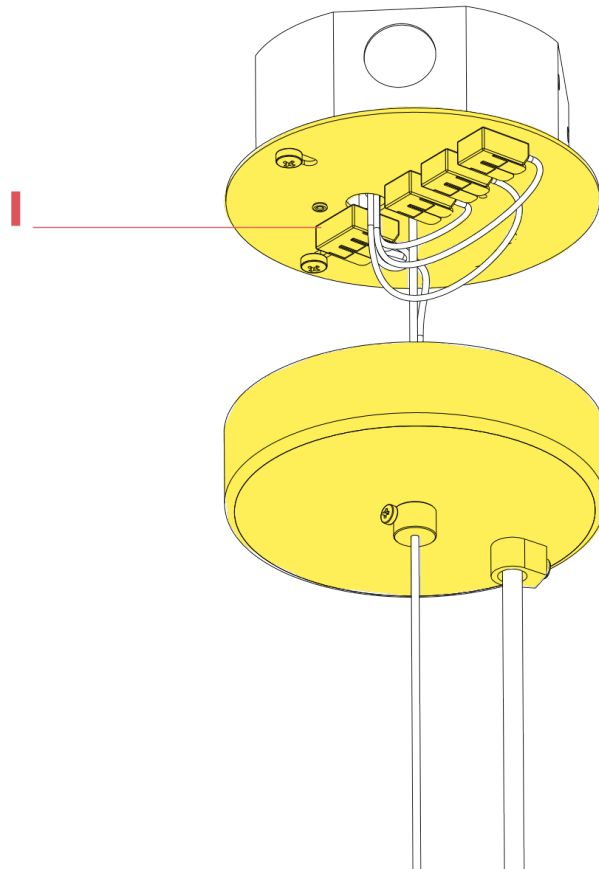


Fig.3

Connect the power supply cord to the terminal block (F).
The apparatus has been designed for double wall switch:

Neutral wire = BLUE.

1st phase wire for 1st wall switch = BROWN.

2nd phase 2nd wall switch = BLACK.

If you choose to utilize only on single wall switch it is necessary to bridge the brown wire with the black wire.

Push the ceiling rose (C) into position and lock it through the cable clamp (G).

WARNING! When installing and whenever acting on the appliance, ensure that the power supply has been switched off.
For the installation of the spare-part, it is necessary to consult a qualified electrician.

RLU706700

2097 Ceiling Rose

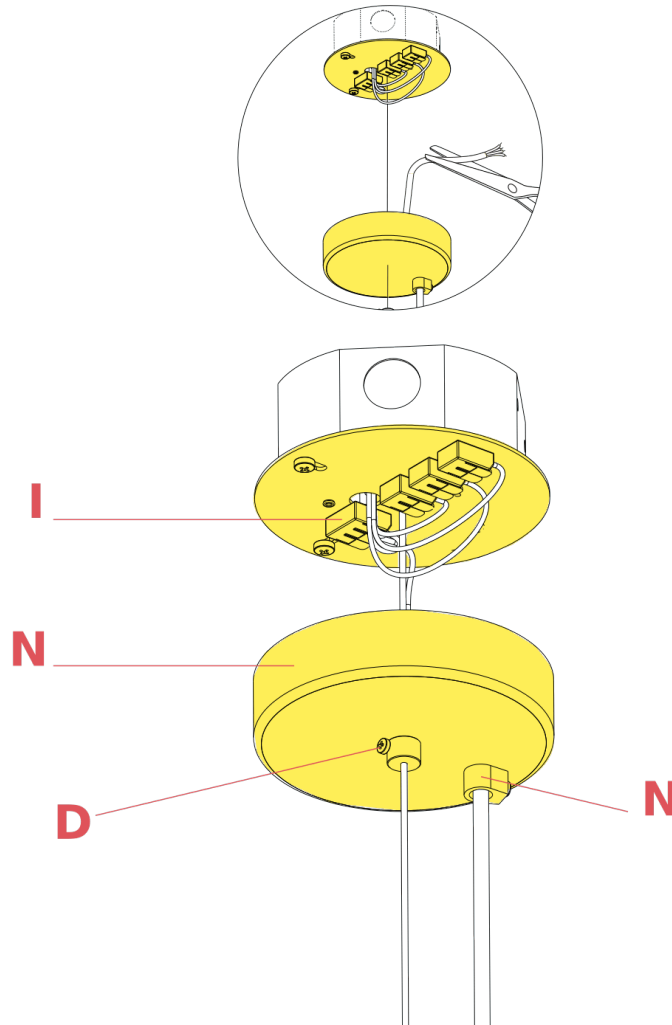


Fig.4

Loosen the grub screw (N) of the cable grip, shorten the power cable from the unit by unplugging it from the terminal block (I), cutting it to the required size and then reconnecting it to the terminal following the correct polarity. Tighten the grub screw (N). Replace the washer (M) securing it by tightening the screws (D) of the cable clamp.

WARNING! When installing and whenever acting on the appliance, ensure that the power supply has been switched off. For the installation of the spare-part, it is necessary to consult a qualified electrician.