

RF7600300

Toio Led wired ballast



WARNING! When installing and whenever acting on the appliance, ensure that the power supply has been switched off.
For the installation of the spare-part, it is necessary to consult a qualified electrician.

RF7600300

Toio Led wired ballast

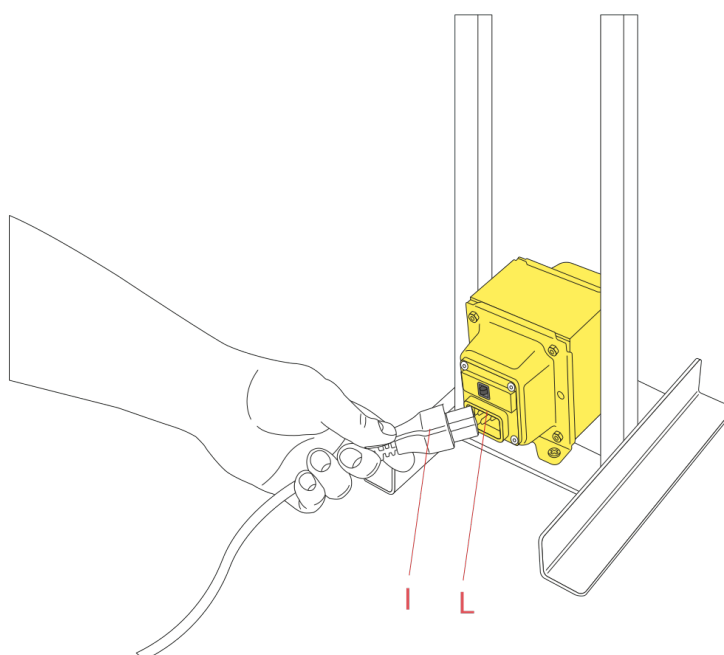


Fig.1

Disconnect the power supply plug (I) from the transformer socket (L).

WARNING! When installing and whenever acting on the appliance, ensure that the power supply has been switched off.
For the installation of the spare-part, it is necessary to consult a qualified electrician.

RF7600300

Toio Led wired ballast

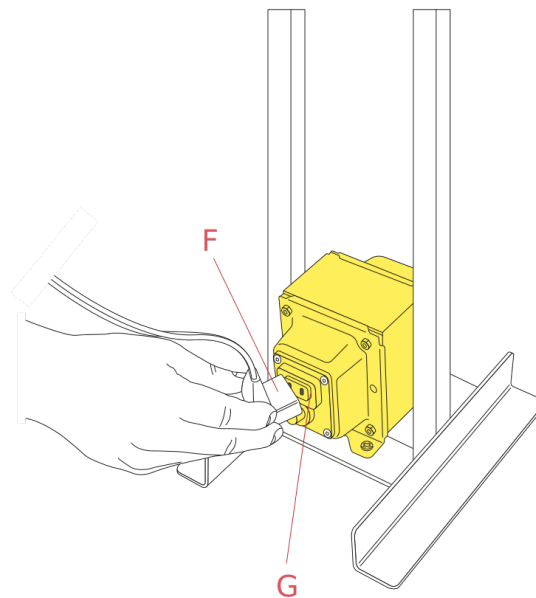


Fig.2

Disconnect the power supply plug (I) from the transformer socket (L).

WARNING! When installing and whenever acting on the appliance, ensure that the power supply has been switched off.
For the installation of the spare-part, it is necessary to consult a qualified electrician.

RF7600300

Toio Led wired ballast

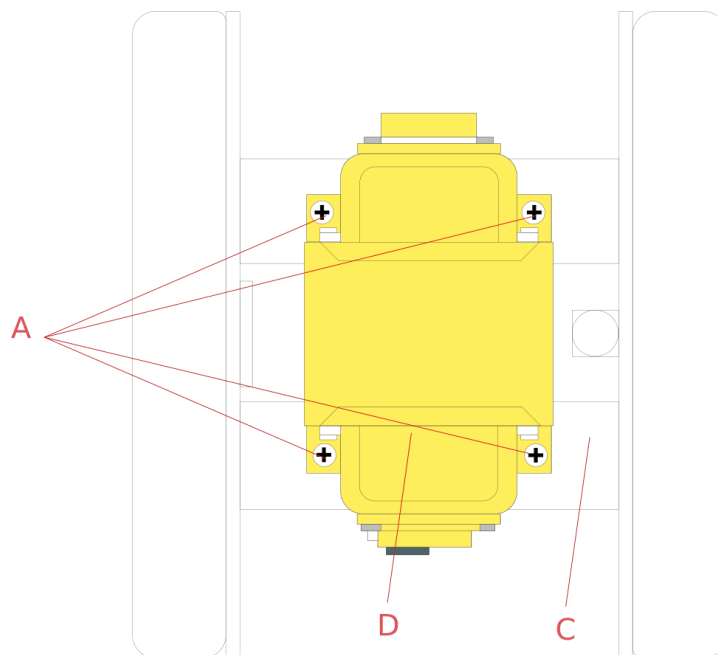


Fig.3

On the lamp base (C), unfasten by utilizing a long type screwdriver (C), the 4 fixing screws (A) with relative washers.

Remove the damaged transformer (D) from the lamp base (C).

Assemble now the new spare-part:

Collocate the new transformer (D) on the lamp base (C) and then fasten the 4 screws (A) with there apposite washers.

Connect the plug (F) to the socket (G) of the transformer. (Fig.2 page 21)

Connect the plug (I) to the socket (L). (Fig.1 page 20)

WARNING! When installing and whenever acting on the appliance, ensure that the power supply has been switched off.
For the installation of the spare-part, it is necessary to consult a qualified electrician.